

# efector 300

# ifm electronic



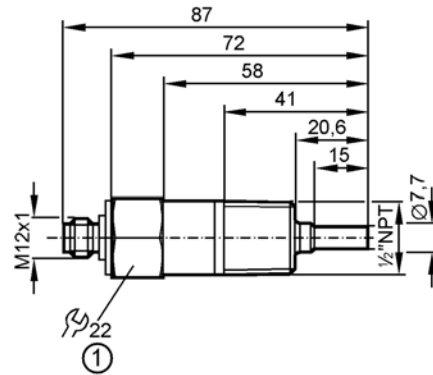
Flow sensors

## SC0523

SCN12FBAABOA

Flow monitor  
Compact type  
Plug and socket  
Process connection: 1/2" NPT

Switch point can be set via programming wire:  
10...60 cm/s  
in steps of 5 cm/s;  
in addition min (< 10 cm/s) and max (> 60 cm/s)  
Factory setting  
35 cm/s  
(to water (20 °C) and mounting in 2" pipe)

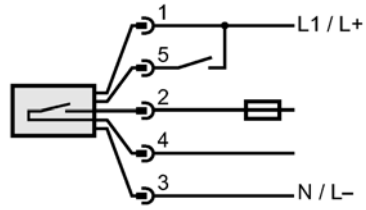
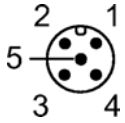


1: Tightening torque max. 100 Nm (with stainless steel adapter) or according to ANSI B1.20.1

CE

Application	water
Electrical design	AC/DC
Output	normally open
Operating voltage [V]	24 AC / DC $\pm$ 15% (AC: 47...63 Hz)
Current rating [mA]	45 AC / 65 DC
Contact rating	30 V AC / 42 V DC <sup>1)</sup>
Short-circuit protection	no
Reverse polarity protection	no
Overload protection	no
Overload protection	no
Voltage drop [V]	< 0.8
Current consumption [mA]	< 50
Pressure rating [bar]	30
Medium temperature [°C]	-10...60 *)
Power-on delay time [s]	15
Response time [s]	1...10
Ambient temperature [°C]	-20...70
Protection	IP 67, III
Shock resistance	DIN IEC 68-2-27:50 g (11 ms)
Vibration resistance	DIN IEC 68-2-6:20 g (10...2000 Hz)
Housing material	stainless steel (303S22)
Materials (wetted parts)	stainless steel (303S22)
Connection	M12 connector
Remarks	<sup>1)</sup> to EN50178, SELV, PELV *) in case of medium temperatures < 4°C the data refer to water/glycol (40% glycol) Storage temperature: -40...70 °C

Wiring



5: programming input

Note: miniature fuse to IEC60127-2 sheet 1,  
≤ 2 A (fast acting)