

# Indoor Fan Removal

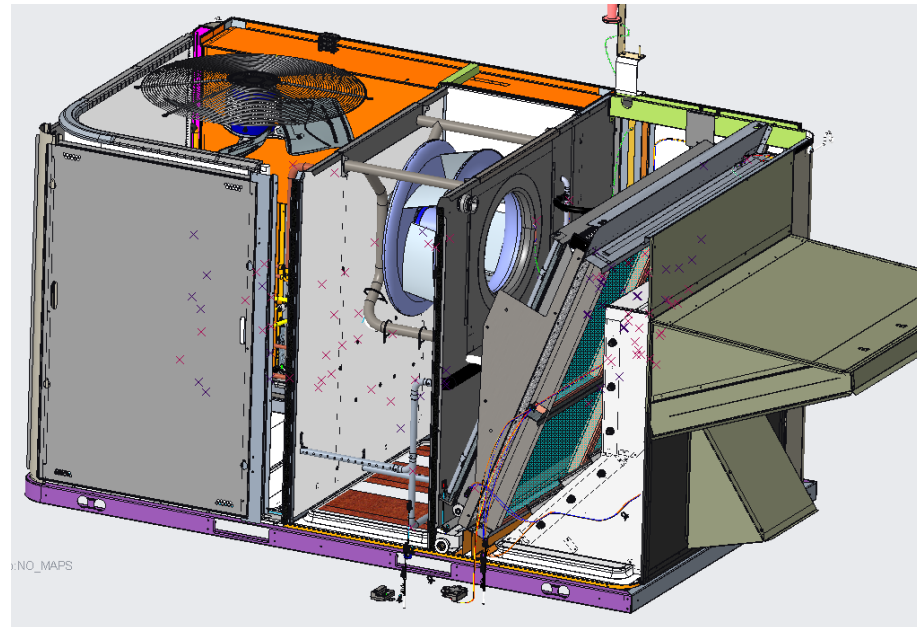
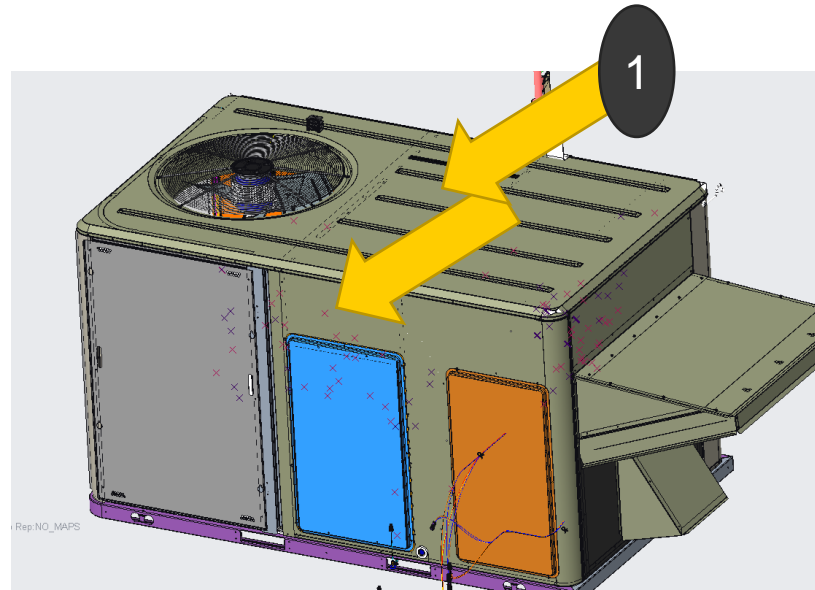
LCU 2023 Precedent

# ID Fan Removal

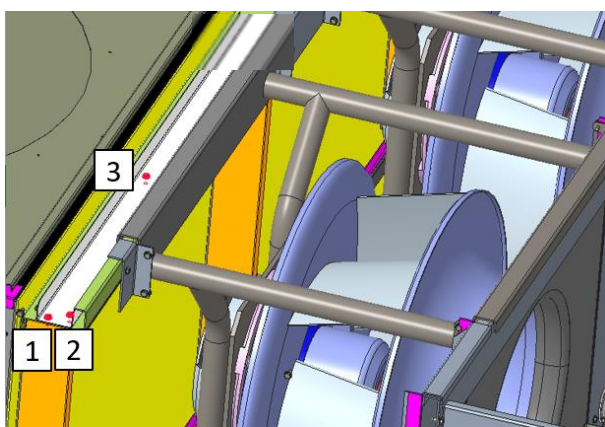
Remove unit roof and rear fan access panel to allow for Fan Access.

Note: Larger units will require a ladder to access and remove the unit roof center panel and associated screws.

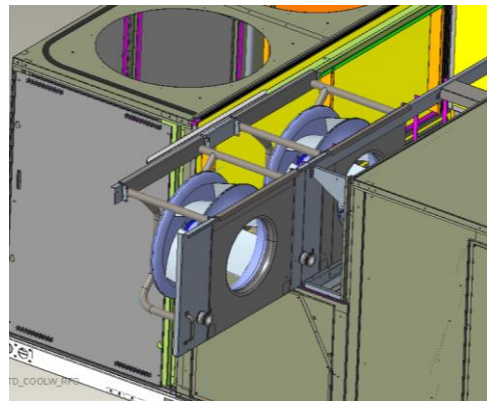
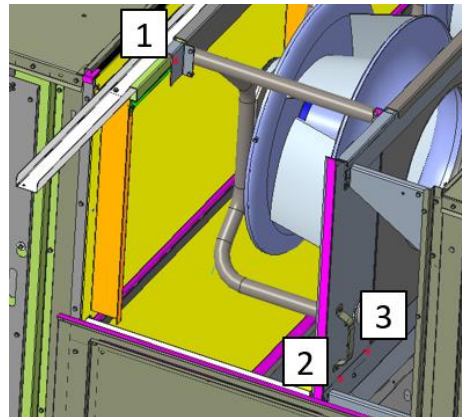
Note: The top will have to be removed to allow access to the fan stabilization slide out bracket.



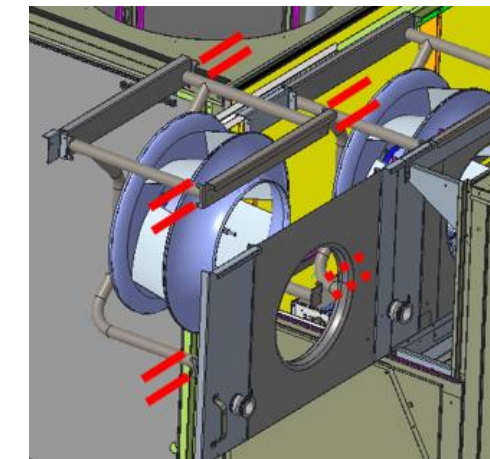
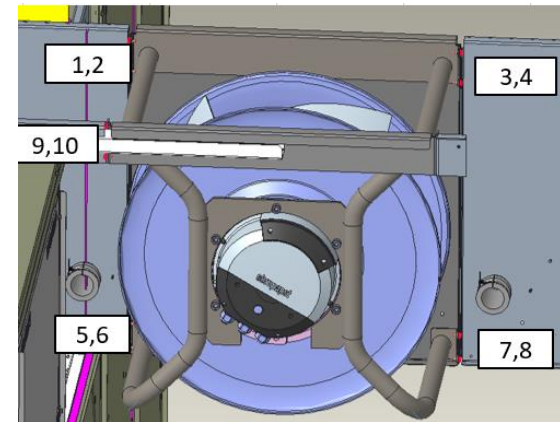
# ID Fan Removal



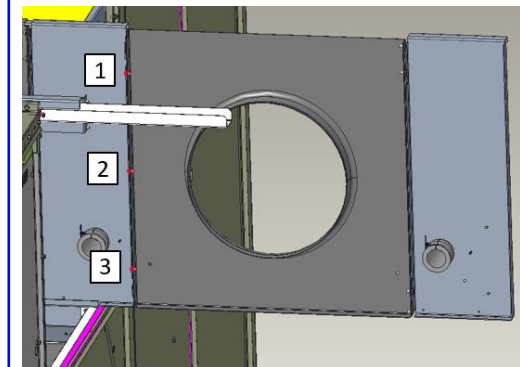
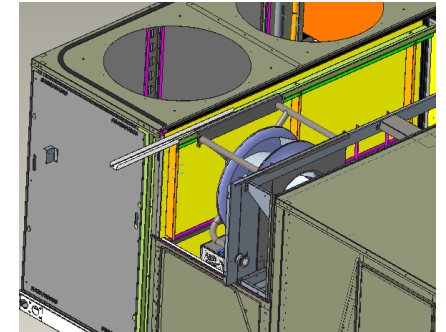
**STEP 1:** Remove 3 screws, relocate fan slide out bracket and resecure with 3 screws



**STEP 2:** Remove 3 screws securing fan assembly. Then slide out ID fan assembly, to gain access to screws securing fan to orifice. (see next slide) Caution do not slide assembly beyond tipping point.



**STEP 3:** Remove screws 1-8 securing sides of fan to orifice and screws 9&10 securing rear bracket. Then carefully lift and pull the fan assembly from the orifice.



**STEP 4:** Remove 3 screws securing front block-off and orifice to access removal of the second fan assembly