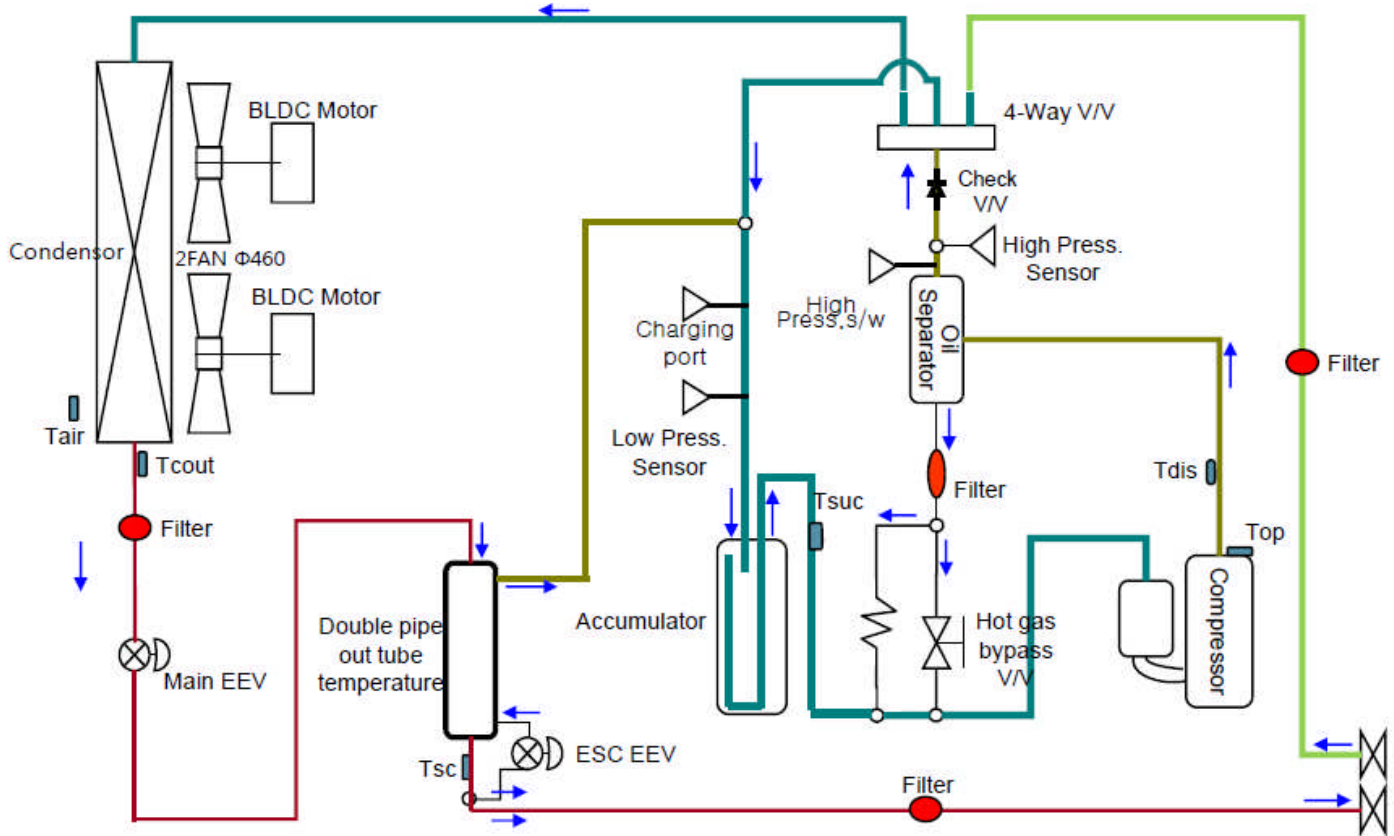


**Sensor location and names**

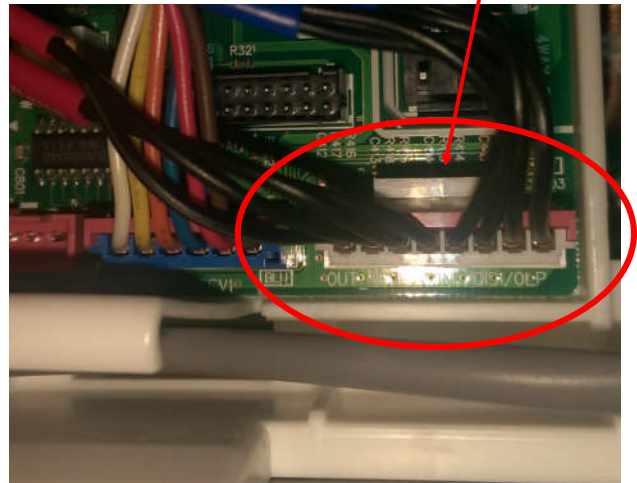
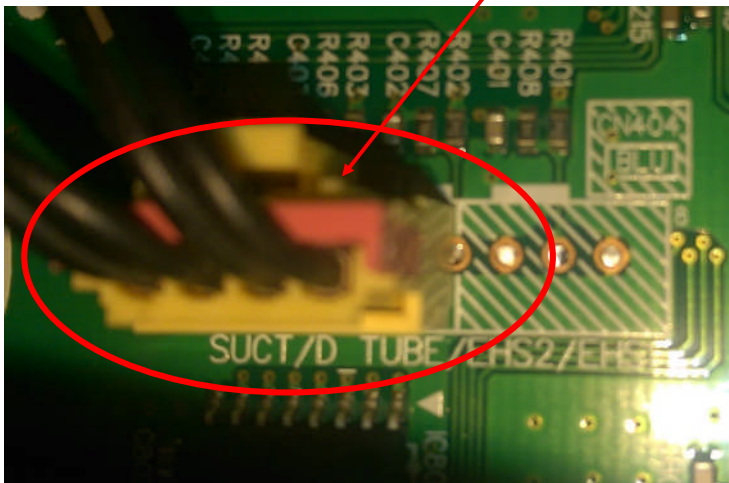
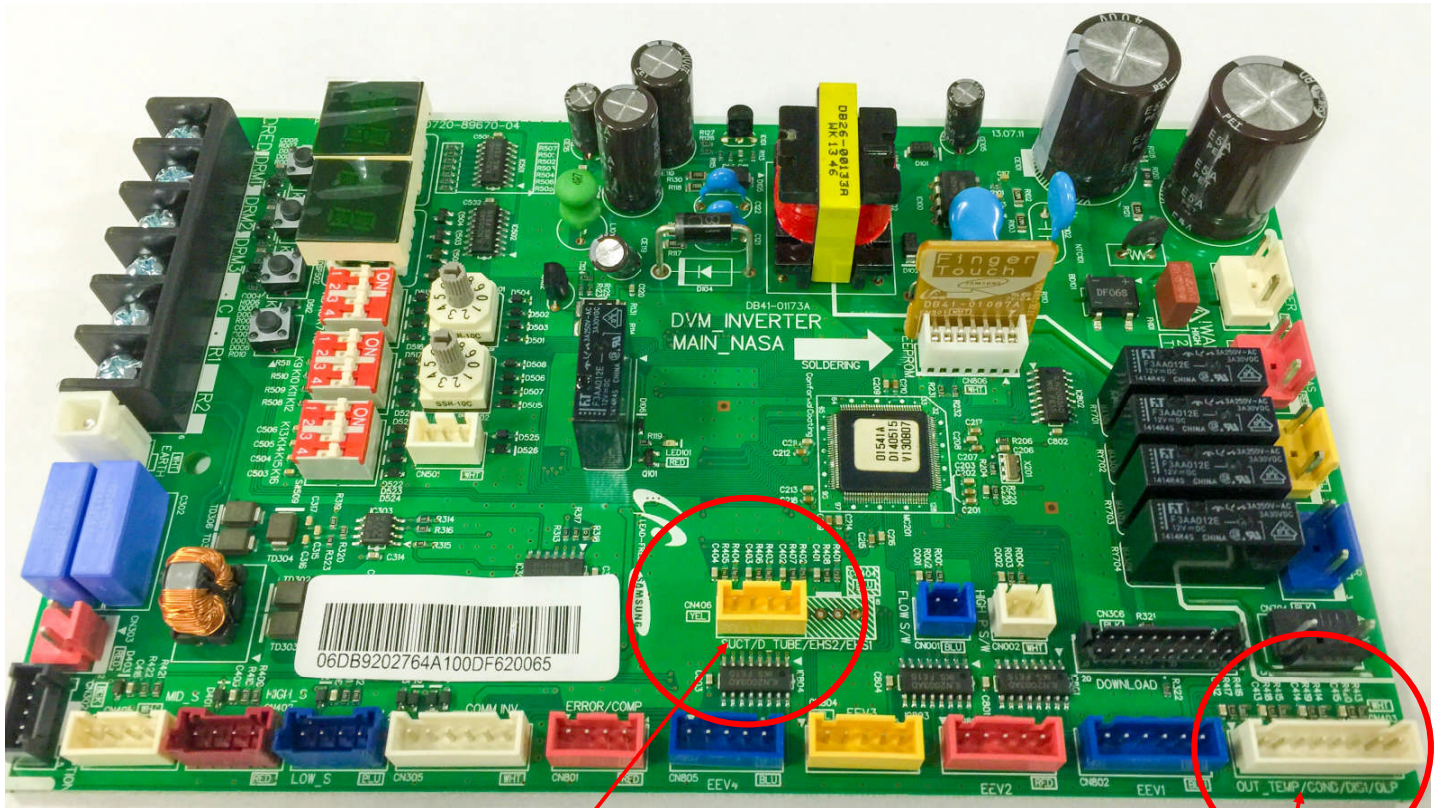
- Tair** Outdoor unit temperature sensor / Associated Error Code is **E221** [ 10K @ 77F ( 25C ) ]
- Tdis** Outdoor unit discharge sensor / Associated error code = **E251** [ 200K @ 77F / ( 25C ) ]
- Tsuc** Outdoor unit suction line temperature sensor / Associate error code = **E308** [ 10K @ 77F ( 25C ) ]
- Tcout** Outdoor Unit Cond. Sensor / Associated error code = **E231** [ 10K @ 77F ( 25C ) ]
- Top** Outdoor Unit OLP Sensor / Associated error code = **E320** [200k @ 77F / ( 25C ) ]
- Tsc** Liquid line temperature sensor / Associated error code = **E311** ( 10K @ 77F ( 25C ) )

*Single Phase (mini) VRF outdoor unit refrigeration circuit - flow arrows indicate cooling mode*



Sensor Resistance Values		
OLP Temperature Sensor (Top)		
Discharge Temperature Sensor (Tdis)		
Temperature		Resistance in KiloOhms
Degrees Fahrenheit	Degrees Celcius	
176	80	40
158	70	50
140	60	60
122	50	90
104	40	110
86	30	180
<b>77</b>	<b>25</b>	<b>200</b>
68	20	220
50	10	320
32	0	550

Sensor Resistance Values		
Outdoor Air Temperature Sensor (Tair)		
Outdoor Unit Suction Line Temperature Sensor (Tsuc)		
Outdoor Unit Cond. Sensor (Tcout)		
Liquid line temperature sensor (TSc)		
Current Temp		Resistance in KiloOhms
Degrees Fahrenheit	Degrees Celcius	
158	70	2.2
140	60	3.0
122	50	4.2
104	40	5.8
86	30	8.3
77	25	<b>10.0</b>
68	20	12.1
50	10	18.0
32	0	27.3
14	-10	43.0



Sensor Label	Connection on Board	Description	Associated Error Code
Tair	OUT_TEMP	Outdoor unit temperature sensor	E221
Tcout	COND	Outdoor Unit Cond. Sensor	E231
Tdis	DISI	Outdoor unit discharge sensor	E251
Top	OLP	Outdoor Unit OLP Sensor	E320
Tsuc	SUCT	Outdoor unit suction line temperature sensor	E308
Tsc	D_TUBE	Double tube temperature sensor	E311