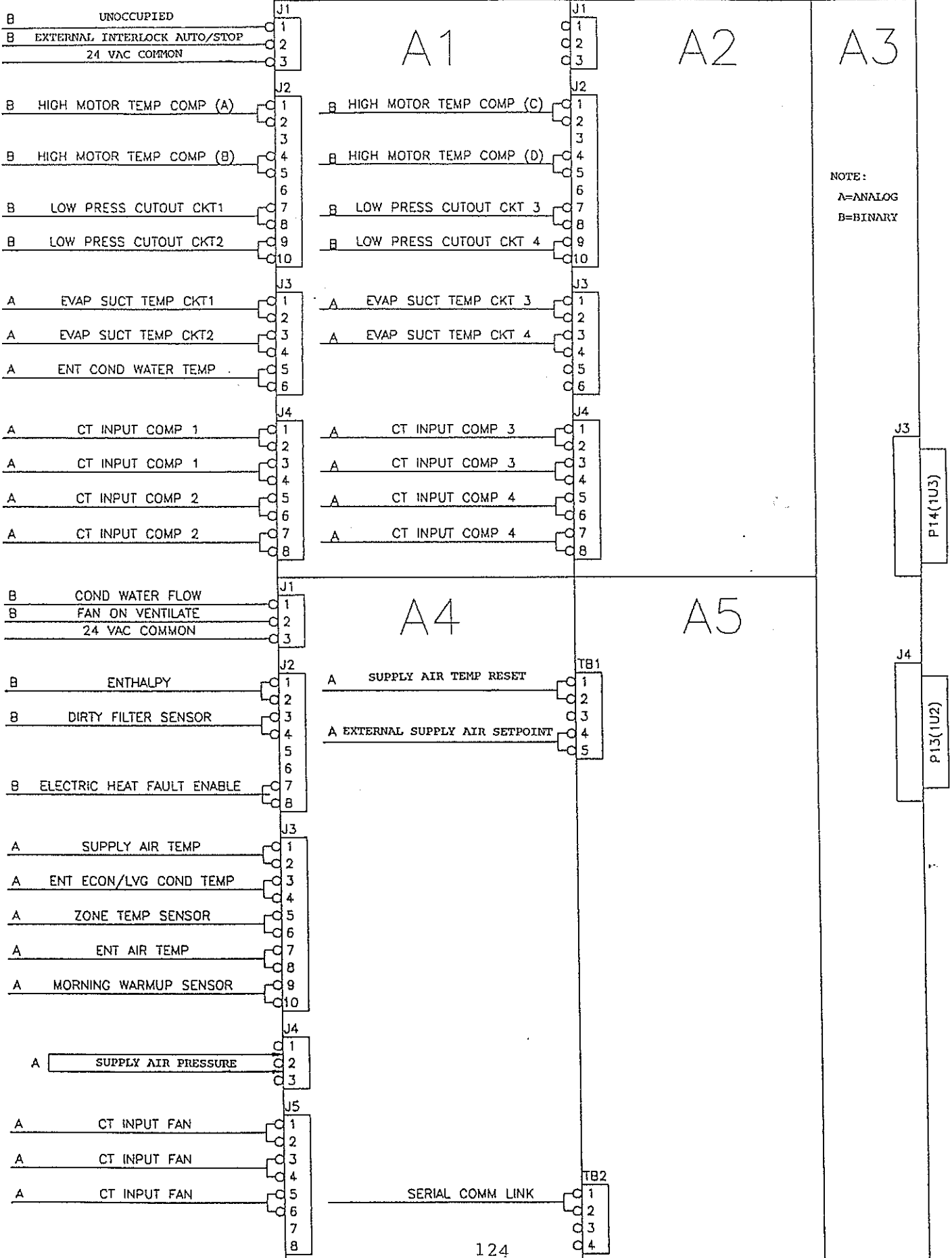
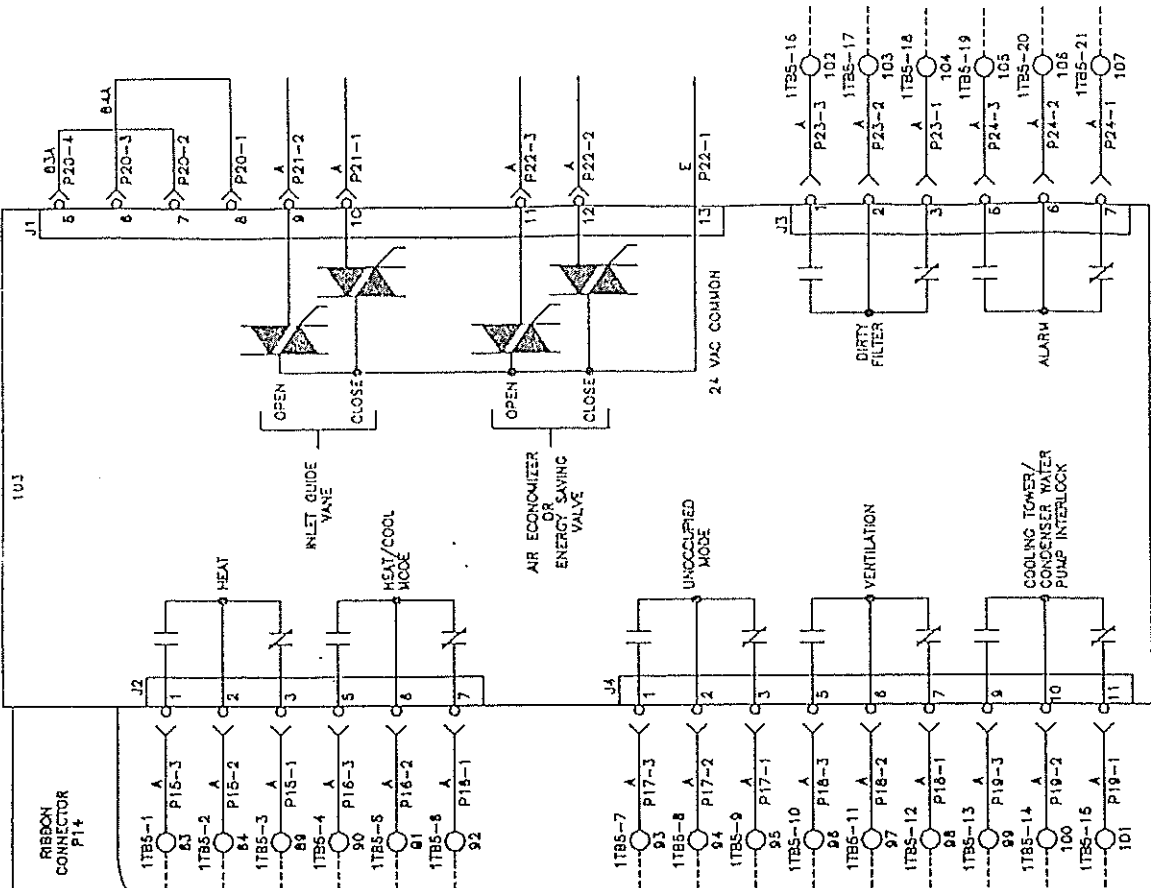


1U1 INPUTS





DESCRIPTION

POWER SUPPLY FOR 1U3

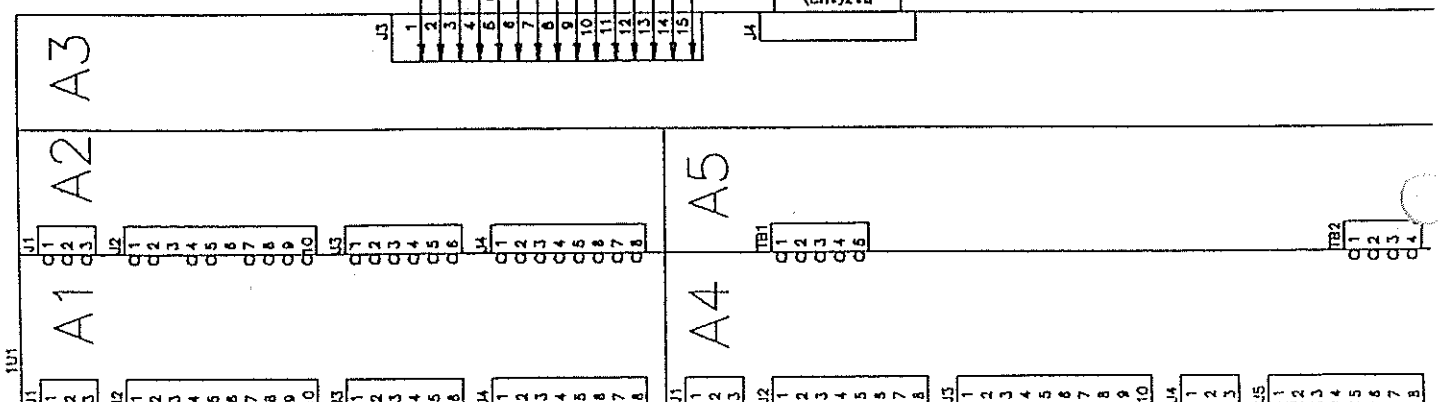
THE FOLLOWING PIN CHECKOUTS ARE IN REFERENCE TO PIN 2 (GND) AND IN VOLTS DC.

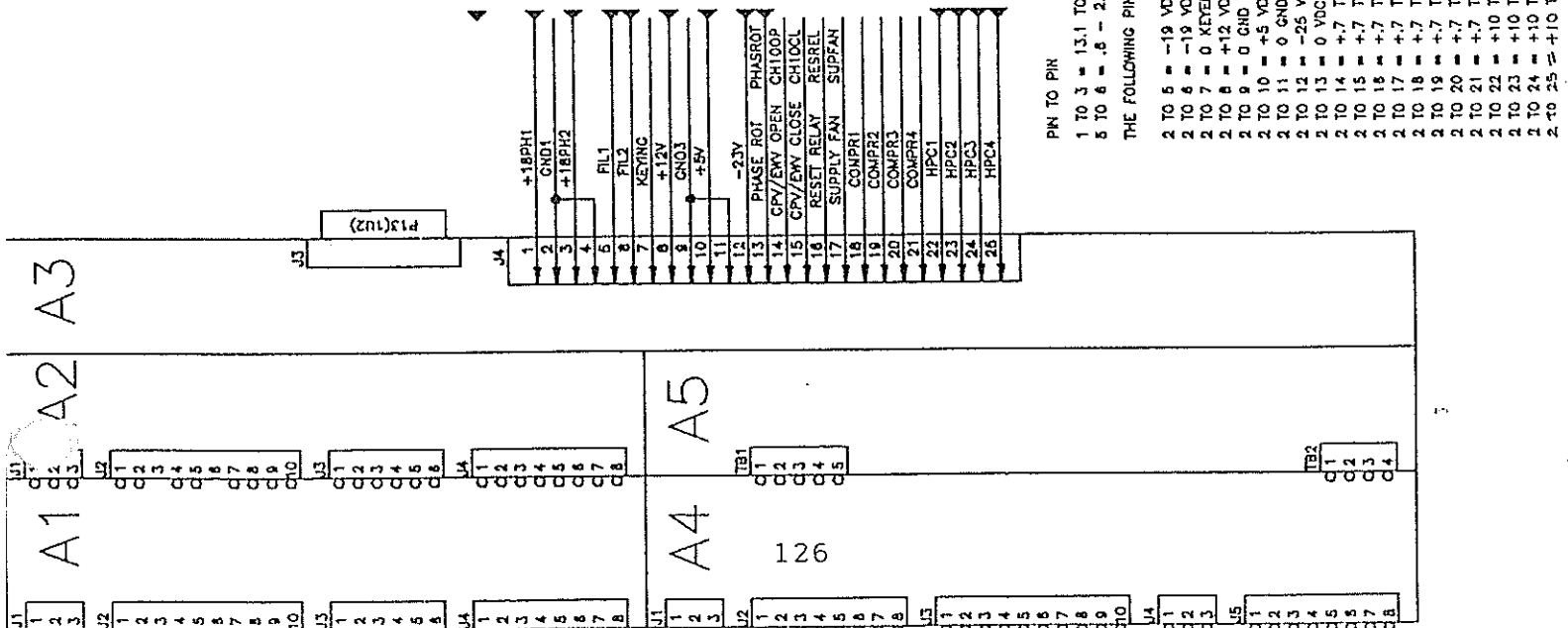
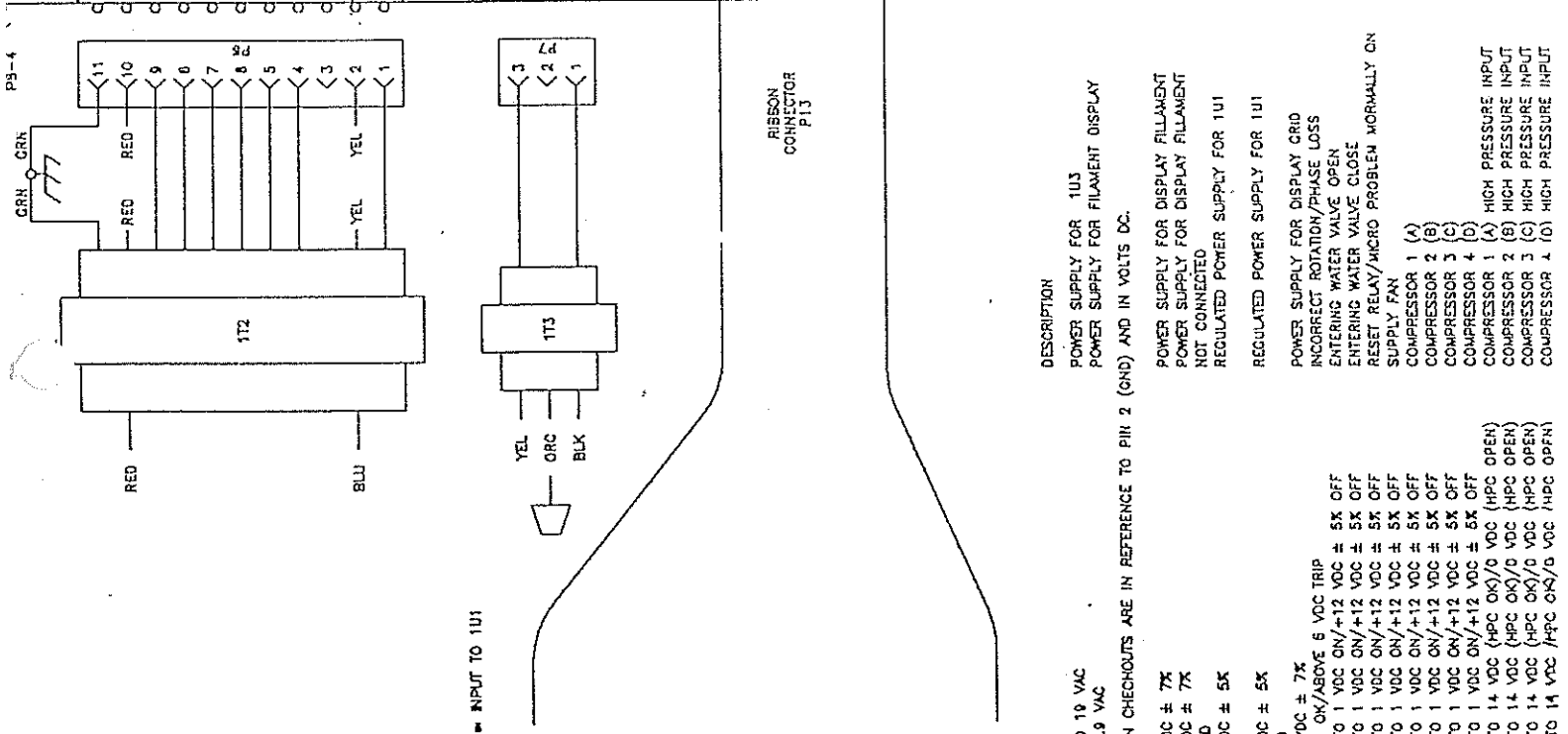
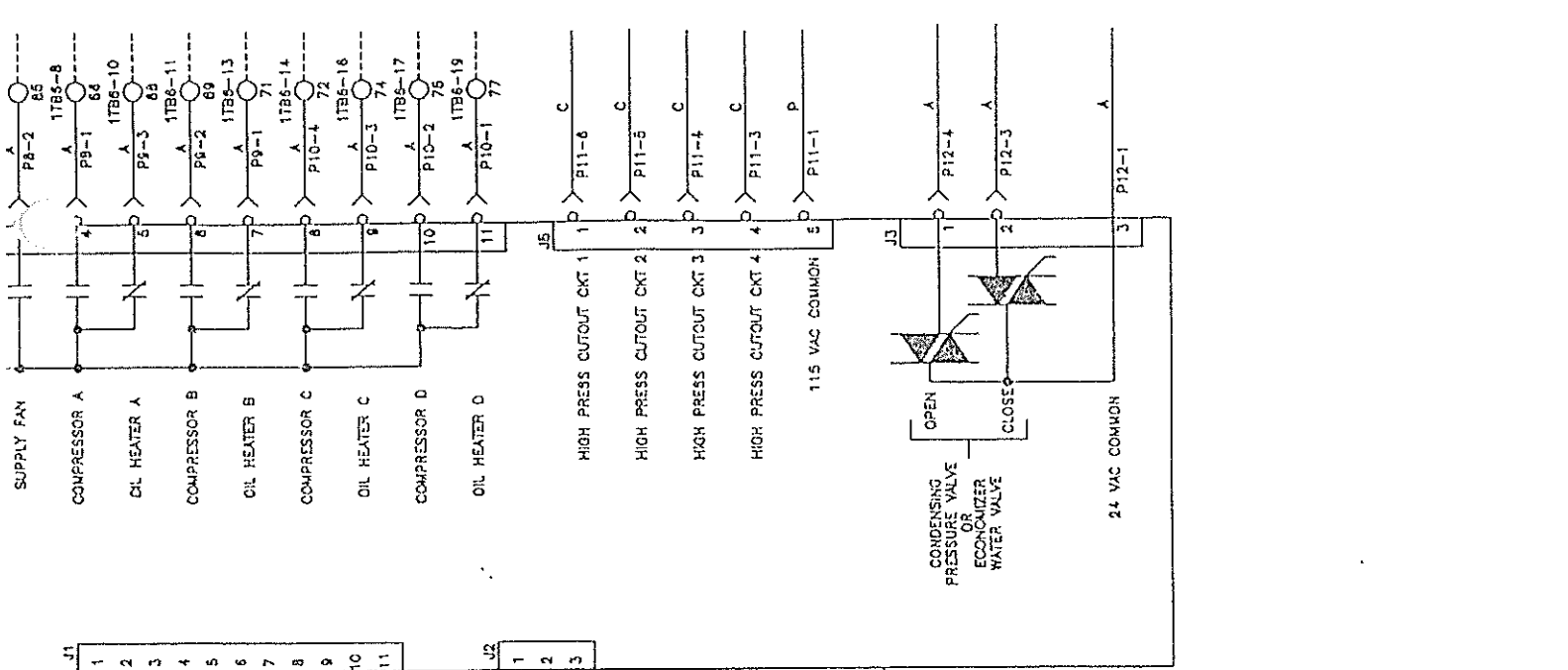
PIN TO PIN

1 TO 3 = 13.1 TO 19 VAC

- 2 TO 4 = +7 TO 1 VDC ON/+12 VDC ± 5% OFF
- 2 TO 5 = +7 TO 1 VDC ON/+12 VDC ± 5% OFF
- 2 TO 6 = +7 TO 1 VDC ON/+12 VDC ± 5% OFF
- 2 TO 7 = +7 TO 1 VDC ON/+12 VDC ± 5% OFF
- 2 TO 8 = +7 TO 1 VDC ON/+12 VDC ± 5% OFF
- 2 TO 9 = +7 TO 1 VDC ON/+12 VDC ± 5% OFF
- 2 TO 10 = 0 KEYED
- 2 TO 11 = +7 TO 1 VDC ON/+12 VDC ± 5% OFF
- 2 TO 12 = +7 TO 1 VDC ON/+12 VDC ± 5% OFF
- 2 TO 13 = +7 TO 1 VDC ON/+12 VDC ± 5% OFF
- 2 TO 14 = +7 TO 1 VDC ON/+12 VDC ± 5% OFF
- 2 TO 15 = +7 TO 1 VDC ON/+12 VDC ± 5% OFF

- GUIDE VANE OPEN
- GUIDE VANE CLOSE
- AIR ECON/ENERGY SAVING VALVE OPEN
- AIR ECON/ENERGY SAVING VALVE CLOSE
- HEAT BINARY OUTPUT
- HEAT/COOL MODE BINARY OUTPUT
- NOT CONNECTED
- DIRTY FILTER BINARY OUTPUT
- ALARM BINARY OUTPUT
- OCC/UNOCC BINARY OUTPUT
- VENTILATION BINARY OUTPUT
- COOLING TOWER/CONDENSER WATER PUMP BINARY OUTPUT



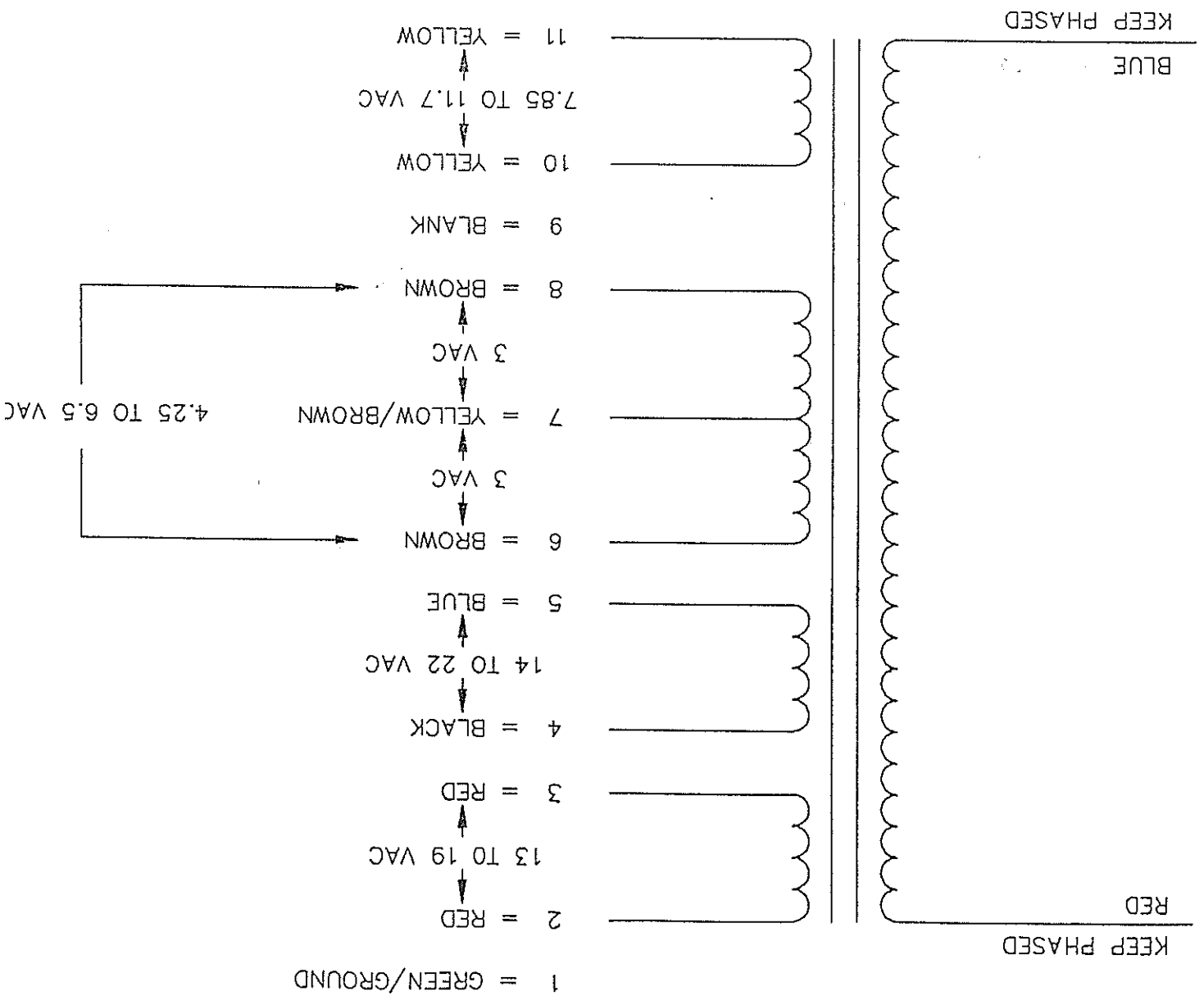


DESCRIPTION
 POWER SUPPLY FOR 1U3
 POWER SUPPLY FOR FILAMENT DISPLAY
 NOT CONNECTED
 REGULATED POWER SUPPLY FOR 1U1
 REGULATED POWER SUPPLY FOR 1U1
 POWER SUPPLY FOR DISPLAY GRID
 INCORRECT ROTATION/PHASE LOSS
 ENTERING WATER VALVE OPEN
 ENTERING WATER VALVE CLOSE
 RESET RELAY/MICRO PROBLEM NORMALLY ON
 SUPPLY FAN
 COMPRESSOR 1 (A)
 COMPRESSOR 2 (B)
 COMPRESSOR 3 (C)
 COMPRESSOR 4 (D)
 COMPRESSOR 1 (A) HIGH PRESSURE INPUT
 COMPRESSOR 2 (B) HIGH PRESSURE INPUT
 COMPRESSOR 3 (C) HIGH PRESSURE INPUT
 COMPRESSOR 4 (D) HIGH PRESSURE INPUT

PIN TO PIN
 THE FOLLOWING PIN CHECKOUTS ARE IN REFERENCE TO P11 2 (GND) AND IN VOLTS DC.

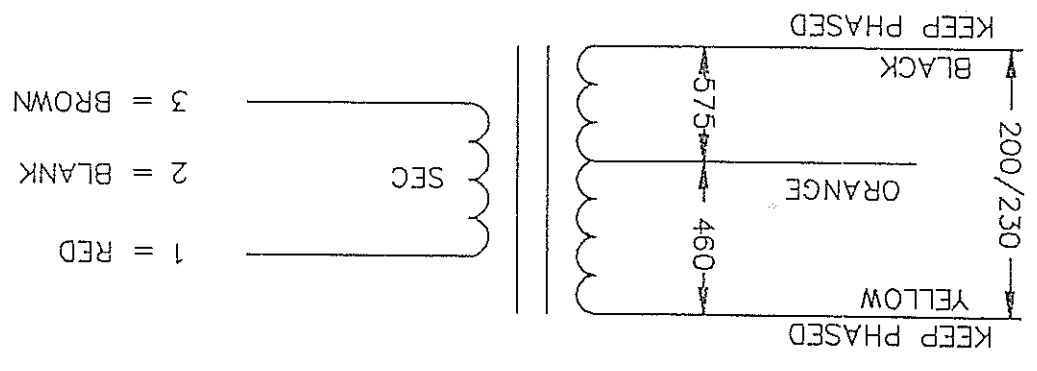
1T2 POWER SUPPLY TRANSFORMER

1U2J1



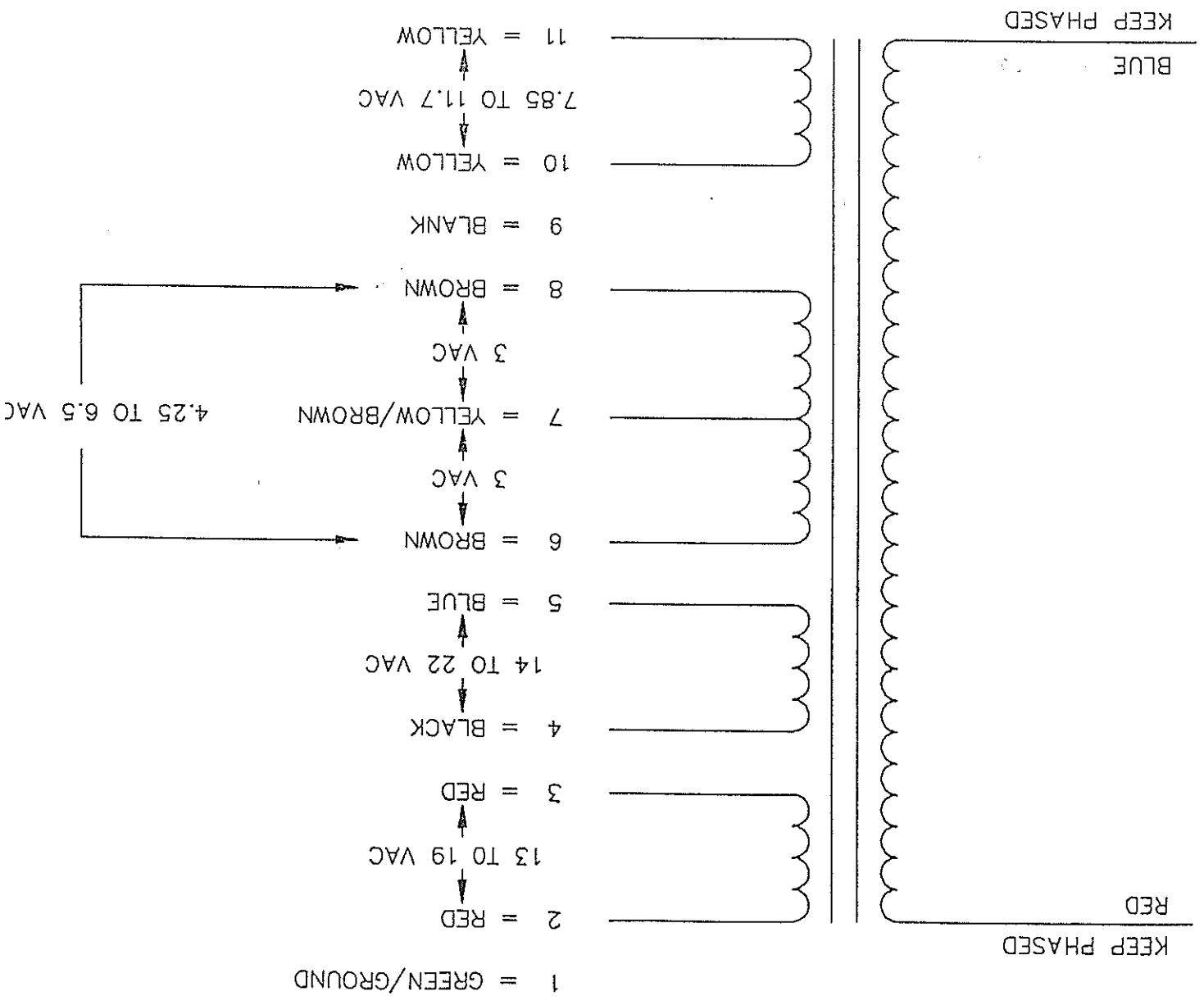
1T3 POTENTIAL TRANSFORMER

1U2J2



1T2 POWER SUPPLY TRANSFORMER

1U2J1



1T3 POTENTIAL TRANSFORMER

1U2J2

