

"DO NOT ADD TO, DELETE FROM OR REVISE THIS DRAWING WITHOUT PROPER AUTHORIZATION OF ELECTRONIC ENGINEERING".

UNLESS OTHERWISE SPECIFIED ALL DIMENSIONS ARE IN MILLIMETERS. TOLERANCE:  
= ±  
X,X = ± FINISH ✓  
X,XX = ±  
ANGLES = ± HOLE DIA =  
CONFORMS TO ASME Y14.5M - 1994

# TRANE

THIS DRAWING IS PROPRIETARY AND SHALL NOT BE COPIED OR ITS CONTENTS DISCLOSED TO OUTSIDE PARTIES WITHOUT THE WRITTEN CONSENT OF TRANE

DRAWN BY: J.RICHARDS

© TRANE FEB/20/2008

## X13790871

SHEET 1 OF 2

REV C

### SENSOR

FLOW  
THERMAL DISPERSION

ALL DIMENSIONS ARE IN MILLIMETERS [INCHES]

DO NOT SCALE PRINT

THIRD ANGLE PROJECTION



SEE SHEET 2 FOR INDEXING REQUIREMENTS

A

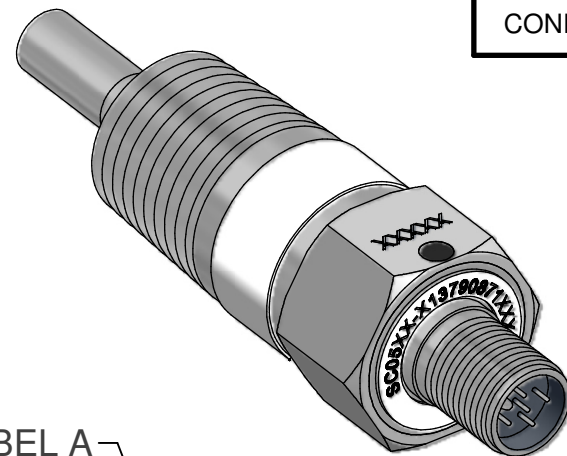
B

C

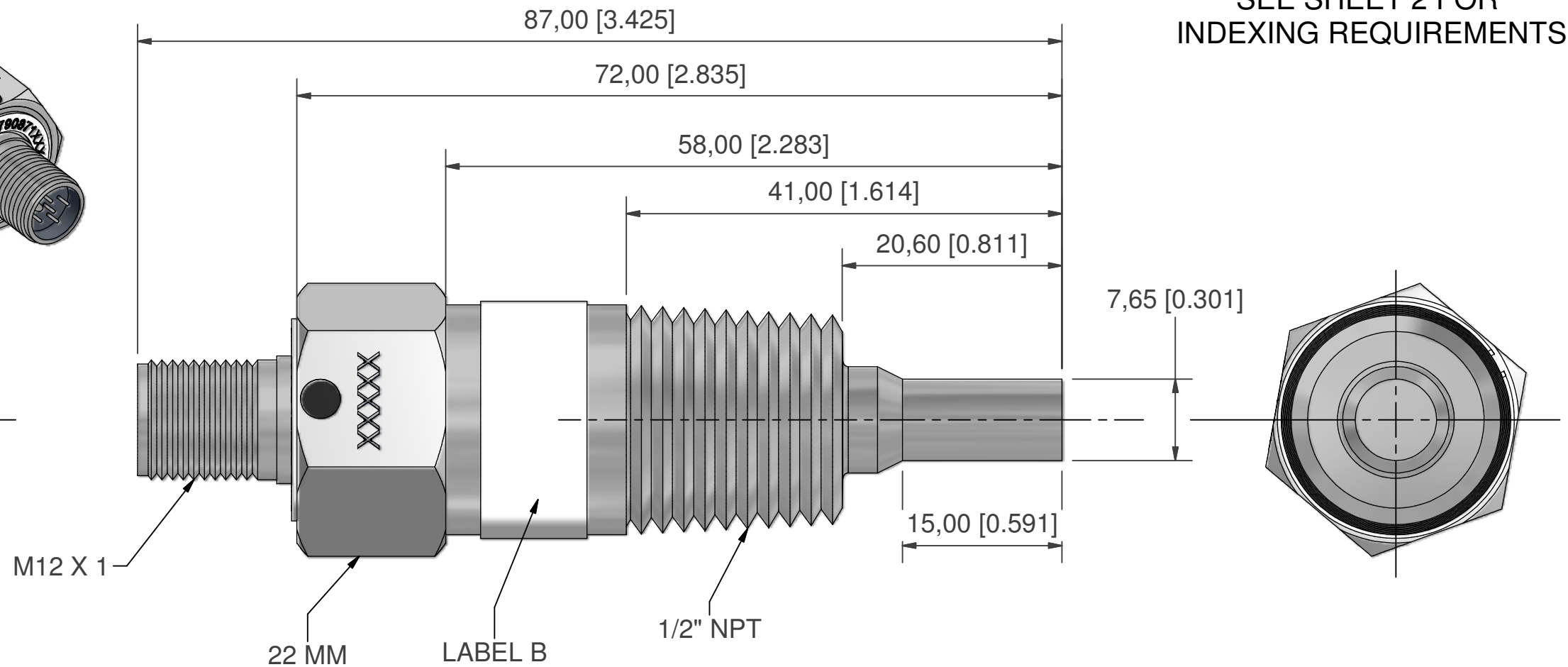
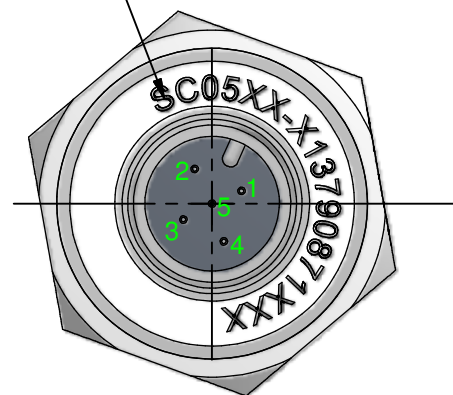
D

E

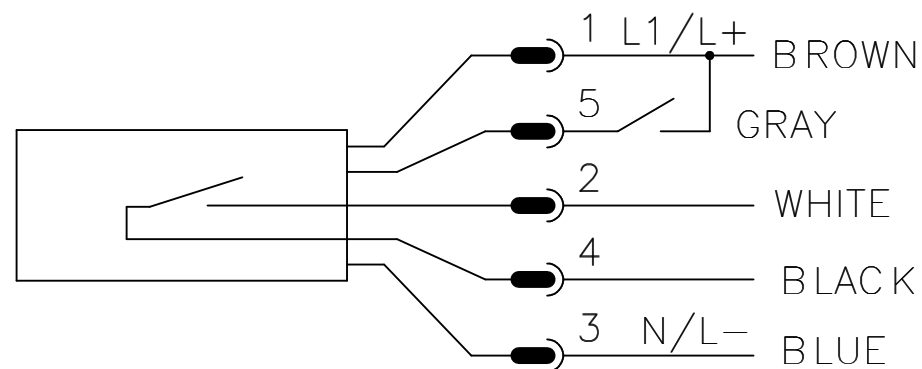
F



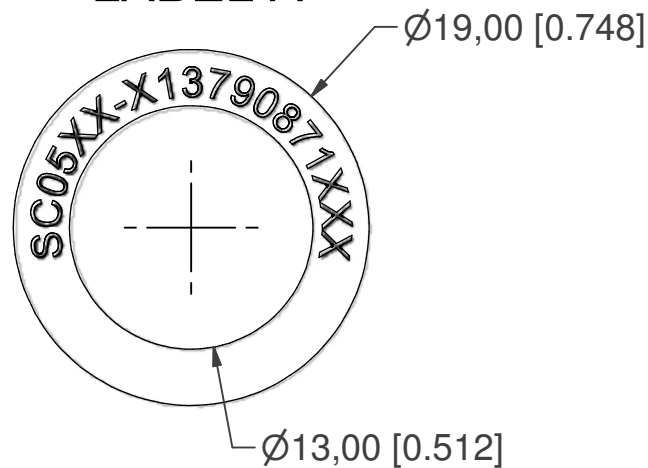
LABEL A



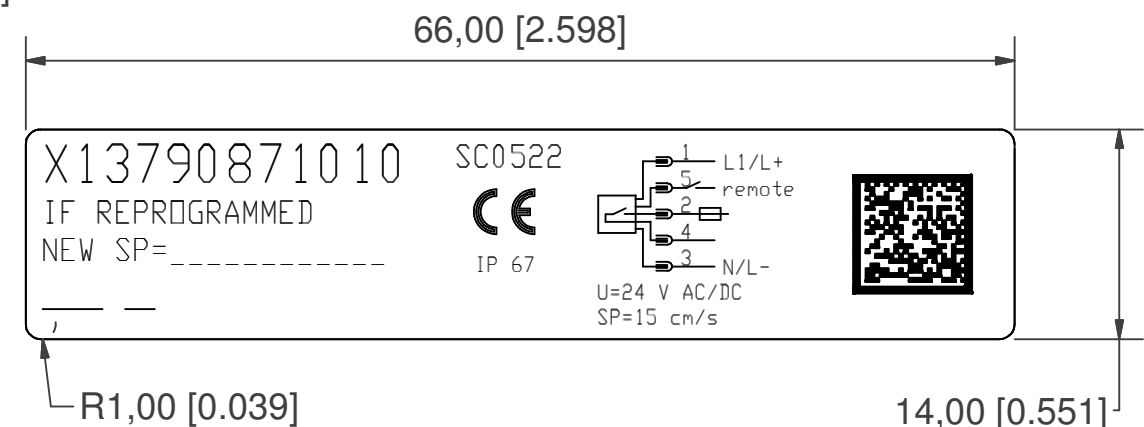
### SCHEMATIC



### LABEL A



### LABEL B



1

2

3

4

5

6

7

8

"DO NOT ADD TO, DELETE FROM OR REVISE THIS DRAWING WITHOUT PROPER AUTHORIZATION OF ELECTRONIC ENGINEERING".

X13790871

SHEET 2 OF 2

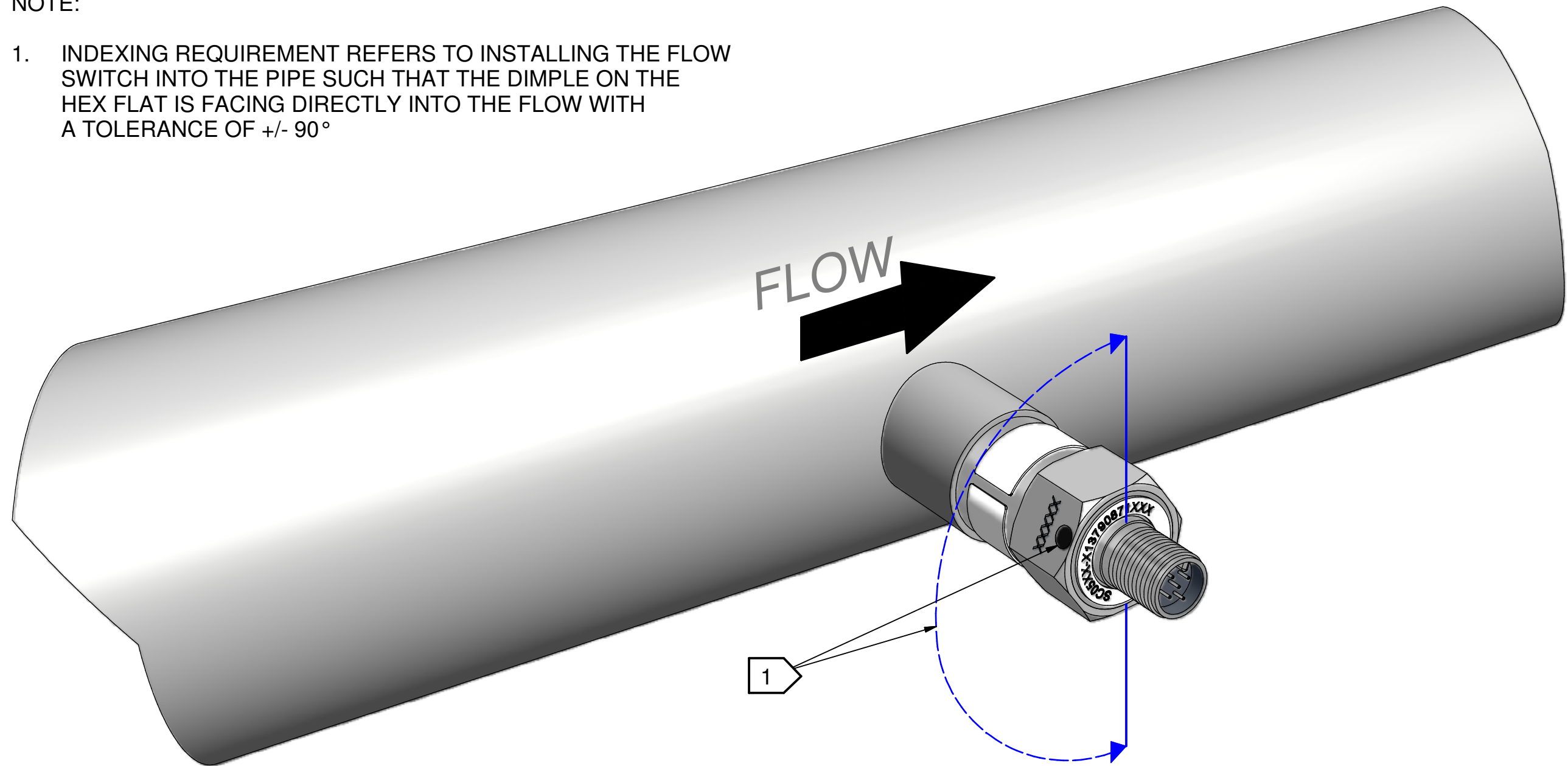
REV C

### INDEXING REQUIREMENT

ALL DIMENSIONS ARE IN MILLIMETERS [INCHES]

NOTE:

1. INDEXING REQUIREMENT REFERS TO INSTALLING THE FLOW SWITCH INTO THE PIPE SUCH THAT THE DIMPLE ON THE HEX FLAT IS FACING DIRECTLY INTO THE FLOW WITH A TOLERANCE OF +/- 90°



A  
B  
C  
D  
E  
F

1 2 3 4 5 6 7 8