

**SPECIFICATIONS:**

ELECTRICAL  
 VOLTAGE---24 VAC ±20% 50/60 HZ, 24 VDC ±10%  
 PRI INPUT POWER---2.5-4.5W 7 VA FOR WIRE SIZING  
 ON-OFF/FLOATING POINT CONTROL.

INPUT CABLE--- MULTI-CONDUCTOR, JACKETED CABLE, #18AWG  
 STRANDED WIRE. MUST BE UL "PLENUM RATED"

\* MUST BE UL LISTED OR RECOGNIZED AND CSA CERTIFIED. "C-UL" (UL LISTED PER CANADIAN STANDARDS) OR "C-UR" (UL RECOGNIZED PER CANADIAN STANDARDS) IS ACCEPTABLE IN LIEU OF BEING CSA CERTIFIED.

**MECHANICAL**

ENCLOSURE---NEMA TYPE 2/IP54  
 TORQUE---35 IN/LBS MINIMUM  
 TIMING---ACTUATION: 0 TO 95°; STROKE TIME SEE CHART  
 SPRING RETURN ON POWER FAILURE--- 25 SECONDS NOMINAL  
 DIRECTION OF ROTATION--- REVERSIBLE  
 SHAFT CLAMPING RANGE--- .50  $\pm$ .03 TO .75  $\pm$ .03

ALL PARTS TO BE MARKED WITH TRANE PART # IN APPROXIMATE SPECIFIED LOCATION.

**ENVIRONMENTAL**

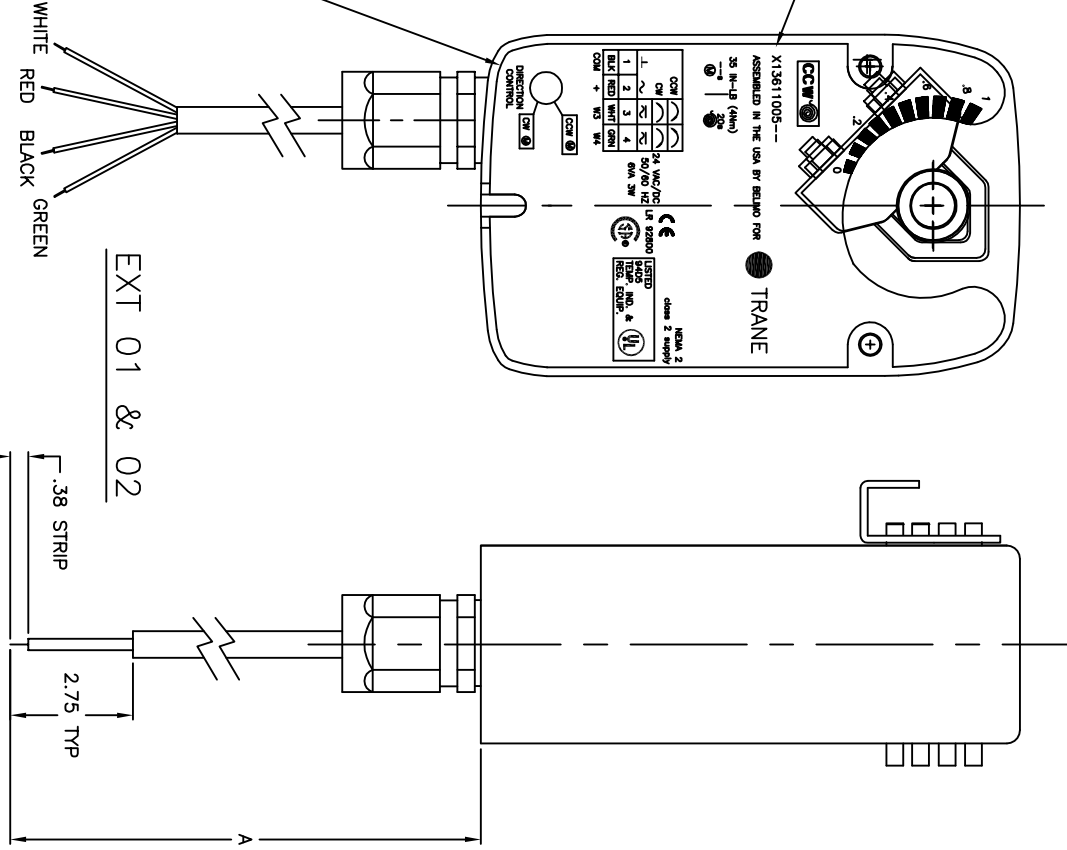
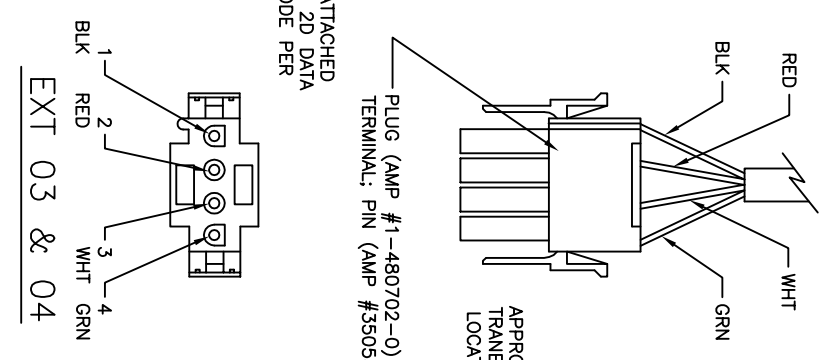
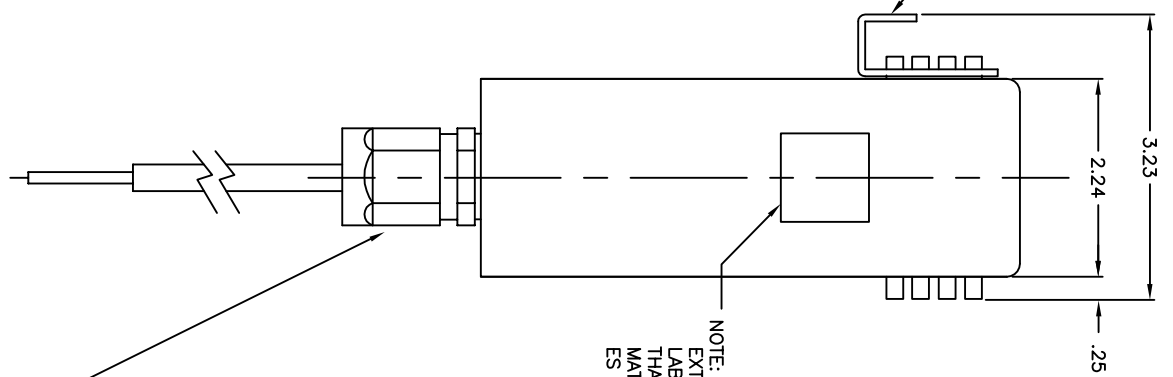
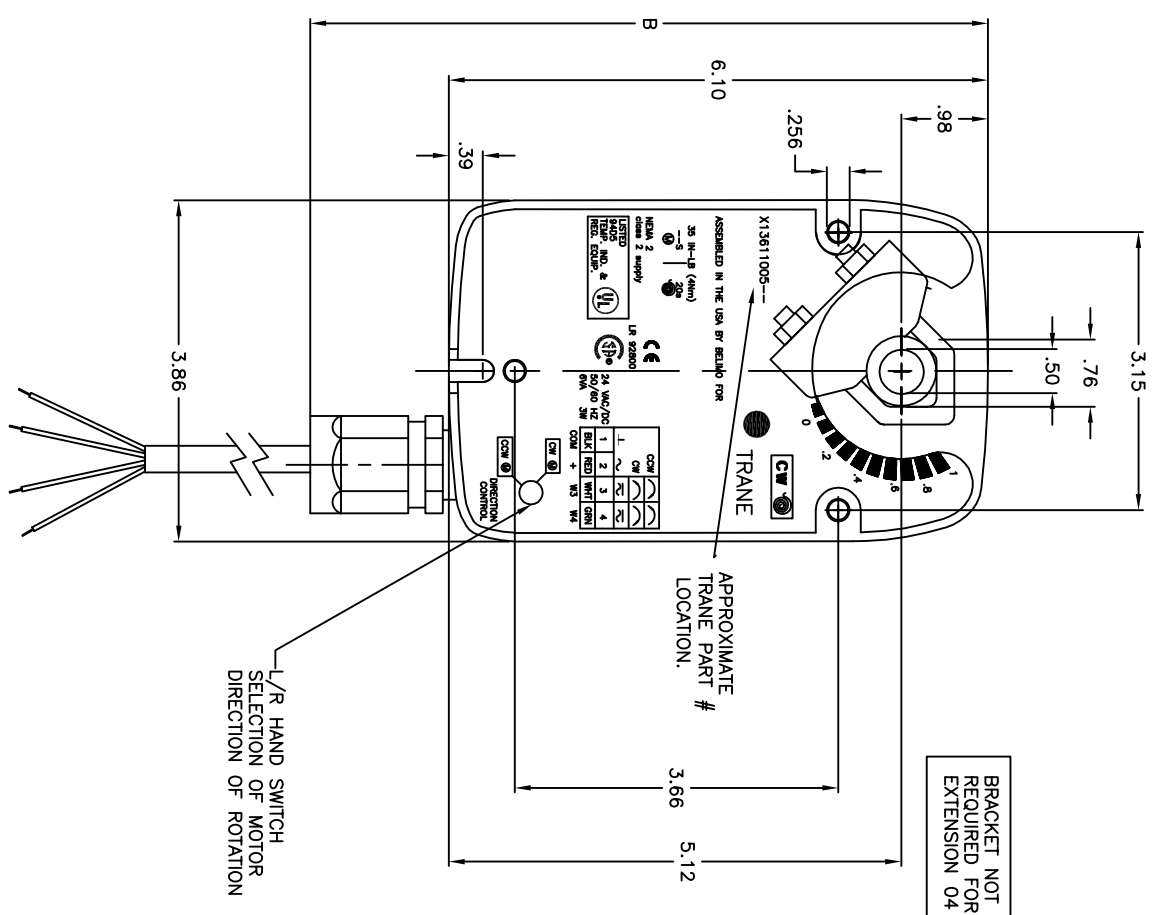
OPERATION TEMP--- -30°C TO +50°C (-22 TO +122°F)  
 NON-OPERATING TEMP--- -40°C TO +80°C  
 RELATIVE HUMIDITY--- 5-95% NON-CONDENSING

UNLESS OTHERWISE SPECIFIED ALL DIMENSIONS ARE IN INCHES.  
 TOLERANCE:  
 X ±.01 FINISH ✓  
 .XX ±.05  
 .XXX ±.1  
 ANGLES = ±  
 HOLE DIA = +  
 CONFORMS TO ASME Y14.5M - 1994

**TRANE**  
 THIS DRAWING IS PROPRIETARY AND SHALL NOT BE COPIED OR ITS CONTENTS DISCLOSED TO OUTSIDE PARTIES WITHOUT THE WRITTEN CONSENT OF TRANE  
 DRAWN BY: T. RUSHTON  
 TRANE DATE: 08-NDU-1998  
 DO NOT SCALE PRINT  
 THIRD ANGLE PROJECTION

**X13611005** SHEET 1 OF 1 REV G  
**ACTUATOR ROTARY DAMPER (SPRING RETURN)**

EXT	STROKE TIME	LABEL	DIM "A"	DIM "B"	NAME PLATE COLOR	DESCRIPTION
01	150 SEC	BELIMO	35.0	7.67	BLACK	W/CONDUIT CONN. & STRIPPED WIRE ENDS
02	90 SEC	TRANE	9.0	7.67	BLACK	W/CONDUIT CONN. & STRIPPED WIRE ENDS
03	90 SEC	TRANE	9.0	7.13	BLACK	W/AMP CONNECTOR & STR.RELIEF
04	150 SEC	TRANE	9.0	7.13	CW SIDE BLK,CCW SIDE WHT	W/AMP CONNECTOR & STR.RELIEF



CW SIDE

CCW SIDE