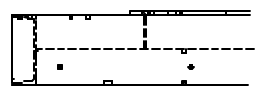
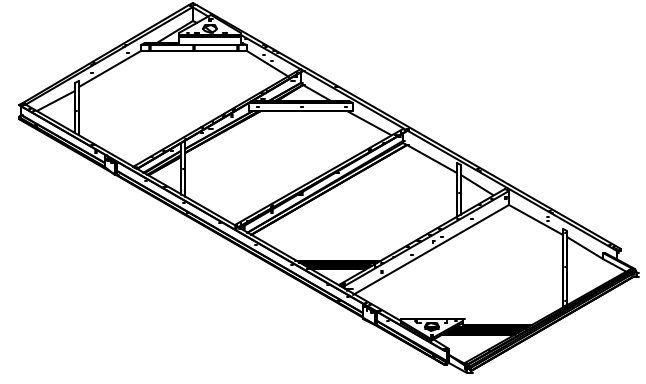
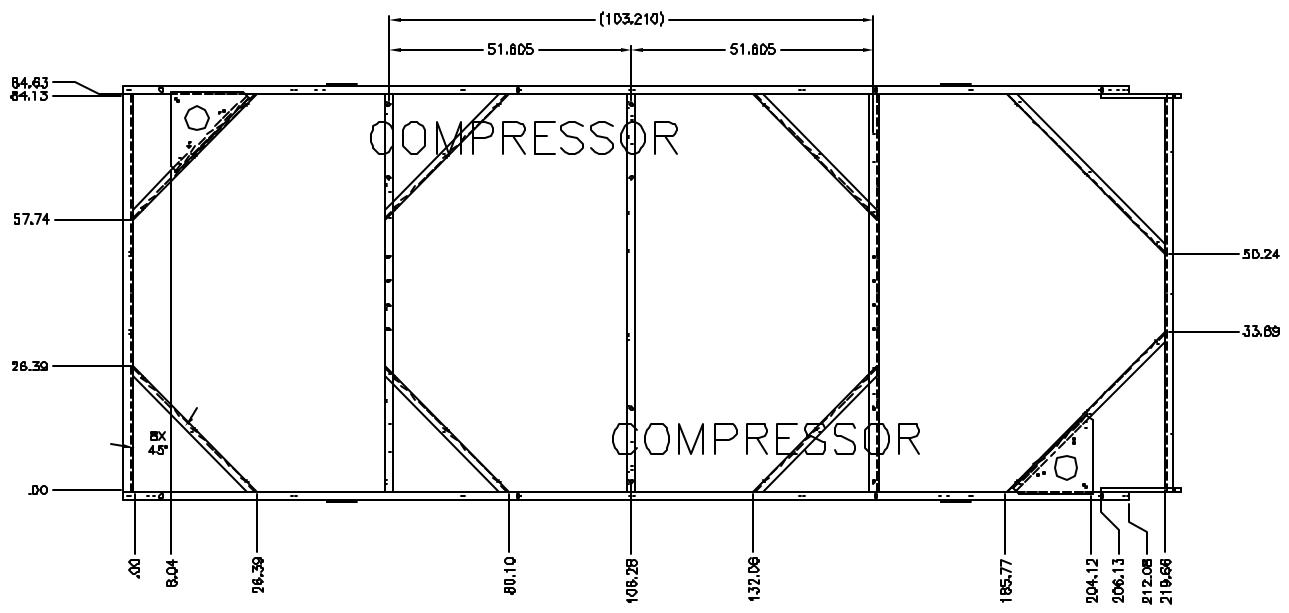


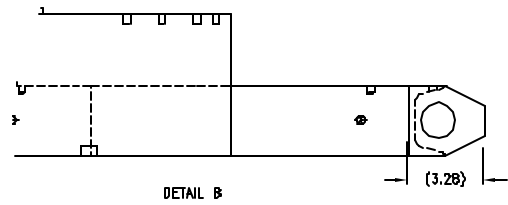
UNLESS OTHERWISE SPECIFIED ALL DIMENSIONS ARE IN INCHES. TOLERANCE:
 X = ±
 .XXX = ±
 .XXX = ±
 ANGLES = ± ° HOLE DIA = ±
 CONFORMS TO ASME Y14.5M-1994.

DATE: _____
 DRAWN BY: _____
 DO NOT SCALE PRINT
 SIMILAR TO: _____
 FINISH ✓
 THIRD ANGLE PROJECTION

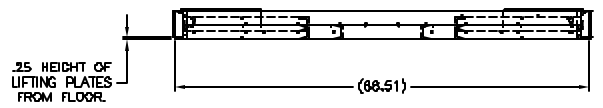
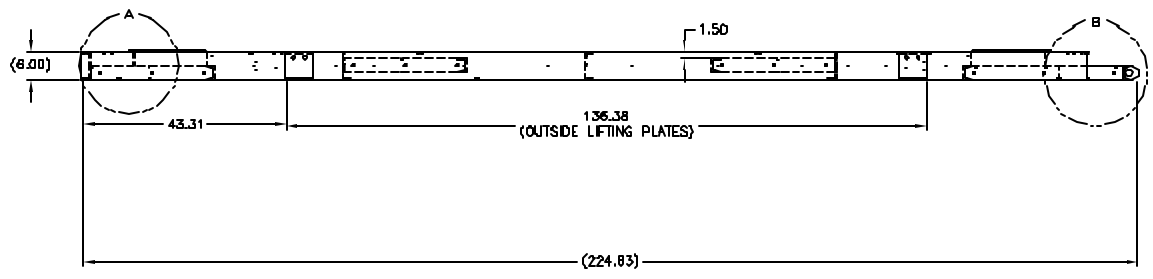
18' BASE
 RTAC
 155T HIGH
 170T HIGH
 185T STD & 200T STD



DETAIL A



DETAIL B



.25 HEIGHT OF LIFTING PLATES FROM FLOOR