

DRAWING	REVISION	VERSION
	C	6

UNLESS OTHERWISE SPECIFIED ALL DIMENSIONS ARE IN INCHES. TOLERANCE:

.X =± 0.1
 .XX =± 0.03
 .XXX =± 0.015

FINISH ✓

ANGLES =± 1.0 ° HOLE DIA = + 0.005
 - 0.005
 CONFORMS TO ASME Y14.5M-1994.

TRANE

THIS DRAWING IS PROPRIETARY AND SHALL NOT BE COPIED OR ITS CONTENTS DISCLOSED TO OUTSIDE PARTIES WITHOUT THE WRITTEN CONSENT OF TRANE

DRAWN BY: L. FAN

TRANE DATE: 23-JUL-2015

DO NOT SCALE PRINT

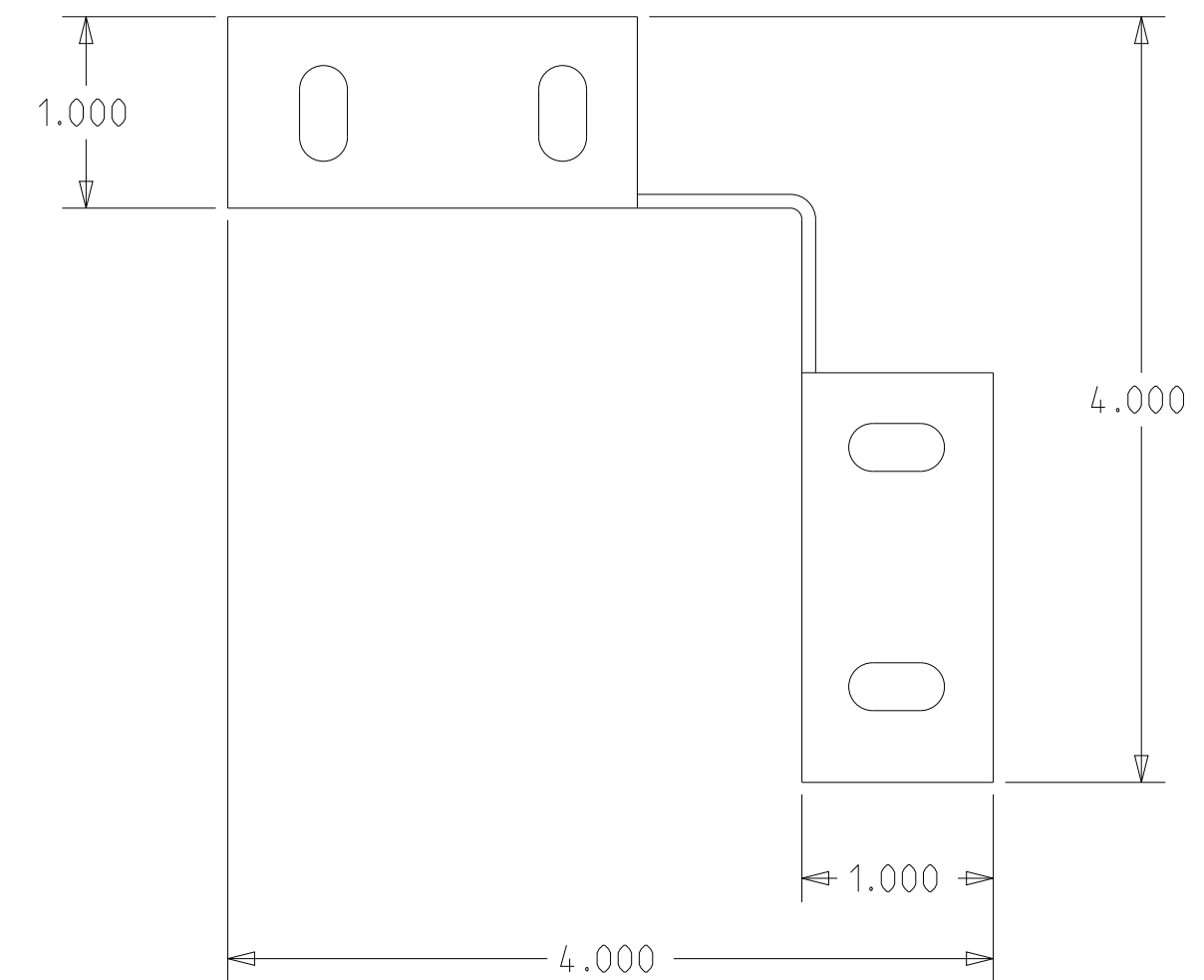
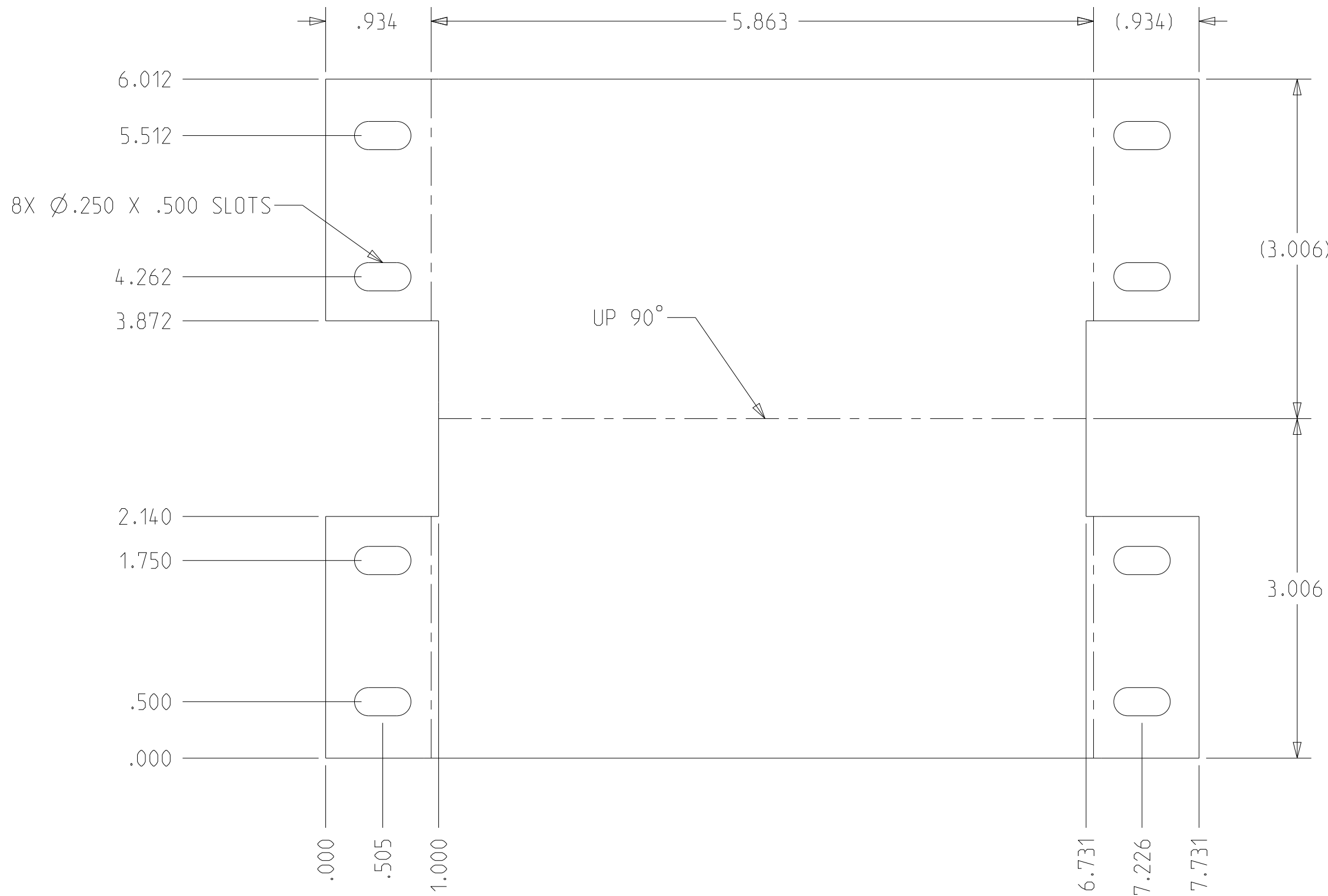
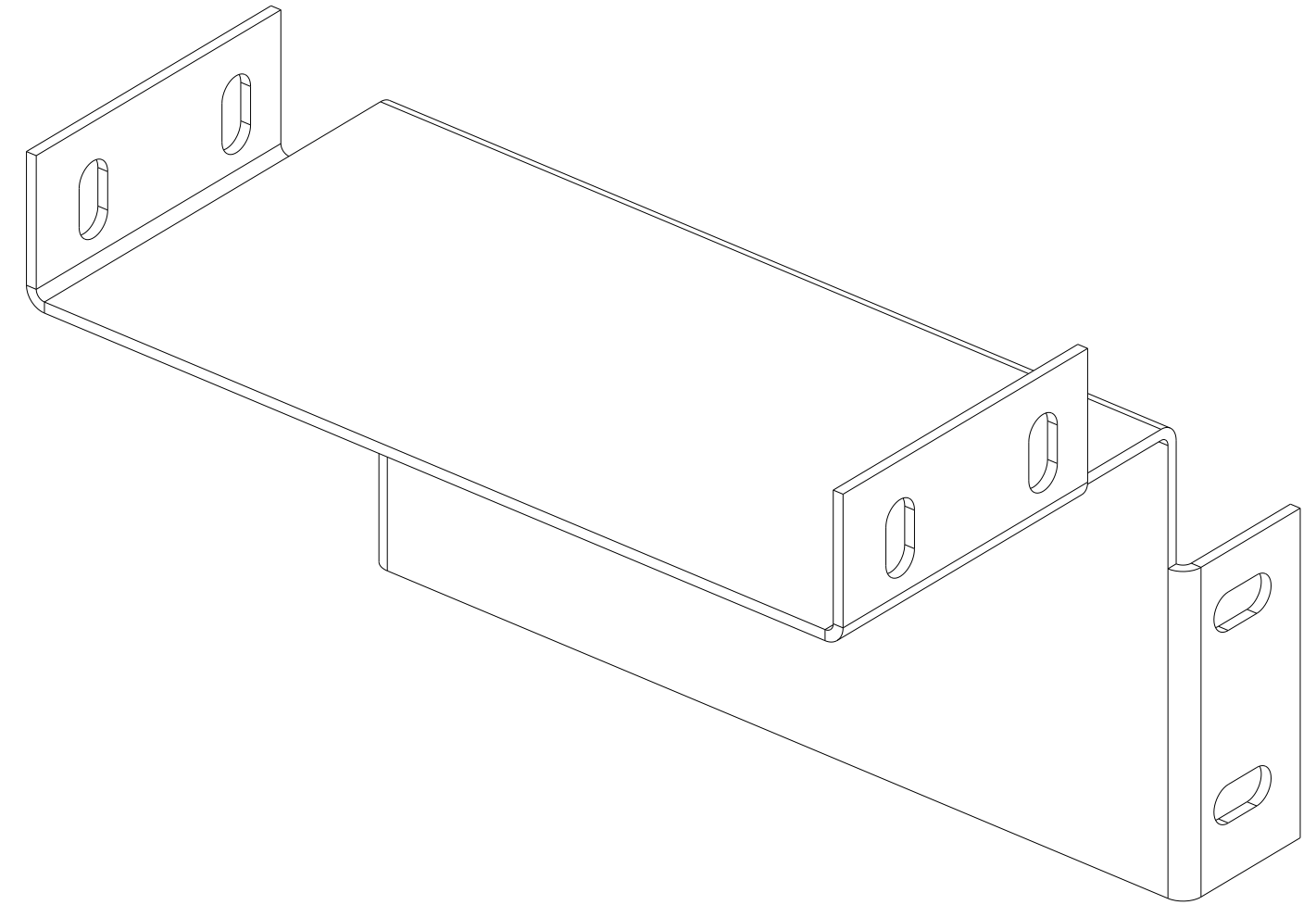
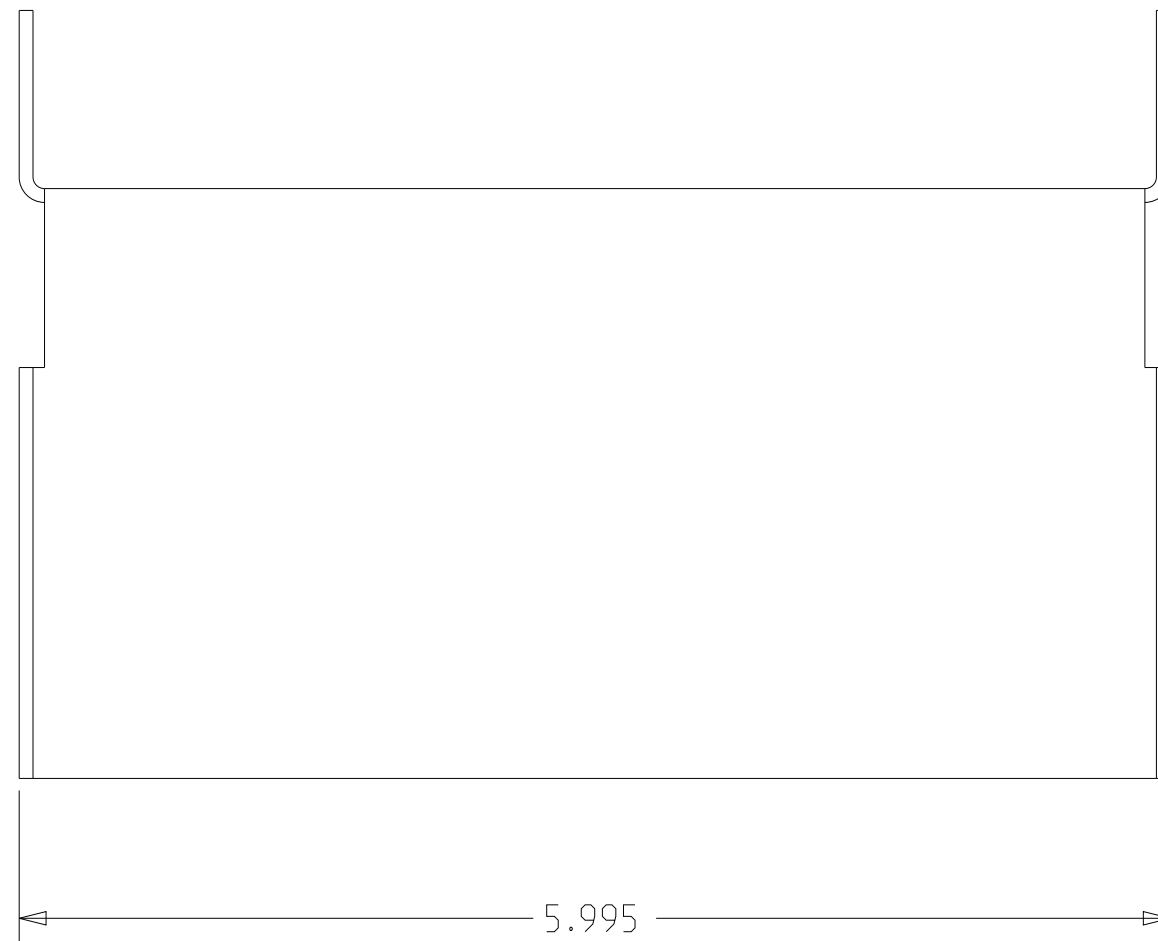
THIRD ANGLE PROJECTION

50190229

SHEET 1 OF 1 REV C

CHANNEL SUPPORT LEG, VERTICAL MODULE
 M:GV L:7.727 W:6.010 T:0.072 LB:0.95 BLOWER COIL

NOTES:
 1. ALL BENDS DOWN 90° UNLESS OTHERWISE NOTES
 2. ALL INSIDE BEND RADII 0.060



4

3

2

1