



# Installation

---

## Installing CBT01625 (DynaView Enclosure) for RTAC/CGAM

**ATTENTION:** Warnings, Cautions, and Notices appear at appropriate sections throughout this literature. Read these carefully.



**WARNING:** Indicates a potentially hazardous situation which, if not avoided, could result in death or serious injury.



**CAUTION:** Indicates a potentially hazardous situation which, if not avoided, could result in minor or moderate injury. It could also be used to alert against unsafe practices.

**NOTICE:** Indicates a situation that could result in equipment or property-damage-only accidents.

### Models Affected

RTAC, CGAM, and other chillers with DynaView™ control modules installed outdoors.

### General Information

Trane Global Parts has designed a custom enclosure for the DynaView control module in order to provide a more robust method of protecting the DynaView touch screen from damaging ultraviolet rays and to improve screen visibility when using the DynaView on sunny days. The enclosure is installed without modifying the control panel door, and new mounting screws and nuts are included with the enclosure.

### Installation Procedure



#### **WARNING**

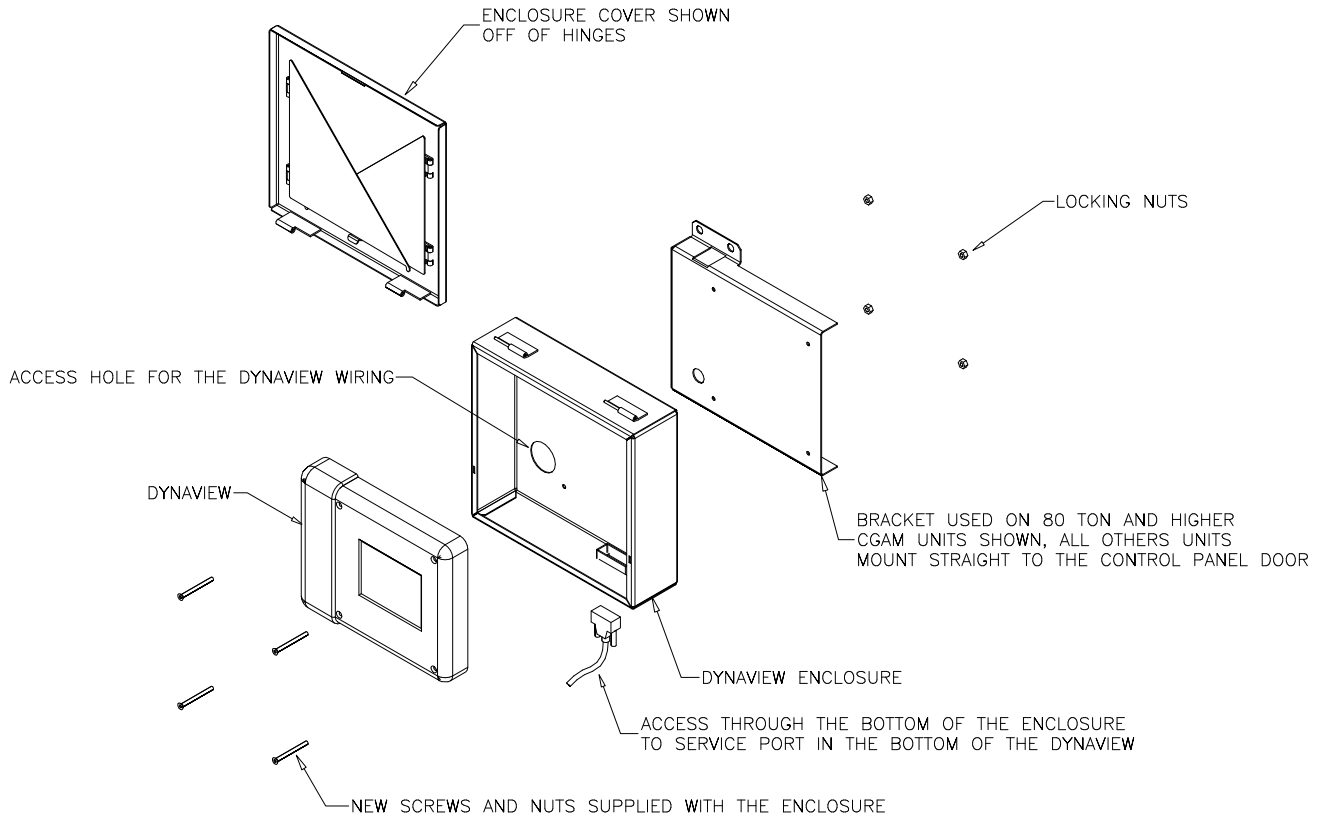
#### **Hazardous Voltage!**

**Disconnect all electric power, including remote disconnects before servicing. Follow proper lockout/tagout procedures to ensure the power can not be inadvertently energized. Failure to disconnect power before servicing could result in death or serious injury.**

1. Remove power from the control panel and open the panel door to which the DynaView is mounted. Follow lockout/tagout procedures to ensure power cannot be inadvertently energized.
2. Remove the four screws that hold the DynaView in place and disconnect the data cable from the back of the DynaView.
3. Slide the cover of the DynaView enclosure off of its hinges and set it aside to re-attach after the enclosure has been mounted.

4. Feed the data cable through the large hole in the back of the DynaView™ enclosure and reconnect it to the DynaView.
5. Attach the DynaView enclosure and DynaView to the control panel door (or mounting bracket if the unit is an 80 or higher ton CGAM) as shown.

### DYNAVIEW ENCLOSURE INSTALLATION INSTRUCTIONS



6. Slide the DynaView enclosure cover back on its hinges and prop it open by sliding the side shields into the slots.

### **⚠ CAUTION**

#### **Do Not Turn Cover Past 180°!**

**If the cover of the enclosure is kept open by turning the cover greater than 180 degrees instead of folding the side flaps down and inserting the tabs into the holes in the enclosure flange, the cover could fall closed without warning, resulting in minor to moderate injury.**

7. Close the control panel doors and reapply power.
8. If a new DynaView was installed, configure accordingly.
9. Close the enclosure when chiller service has been completed to protect the DynaView screen from UV light and insert the plastic service port plug if it was removed.



Literature Order Number      PART-SVN123A-EN

Date      November 2009

Supersedes      New

[www.trane.com](http://www.trane.com)

For more information, contact your local Trane office or e-mail us at [comfort@trane.com](mailto:comfort@trane.com)

Trane has a policy of continuous product and product data improvement and reserves the right to change design and specifications without notice. Only qualified technicians should perform the installation and servicing of equipment referred to in this literature.