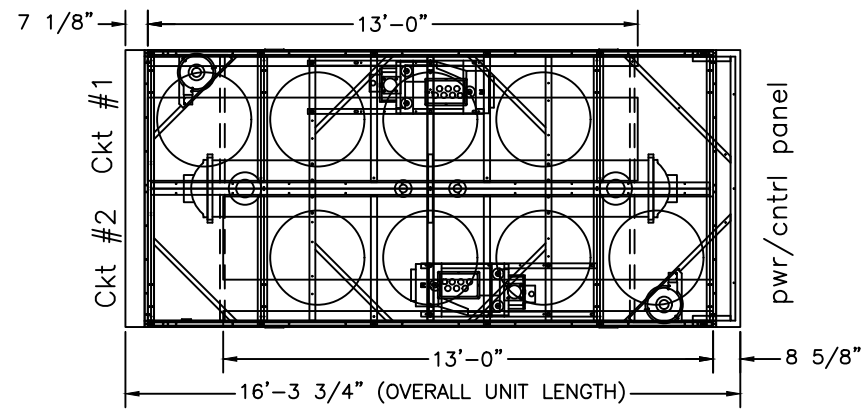


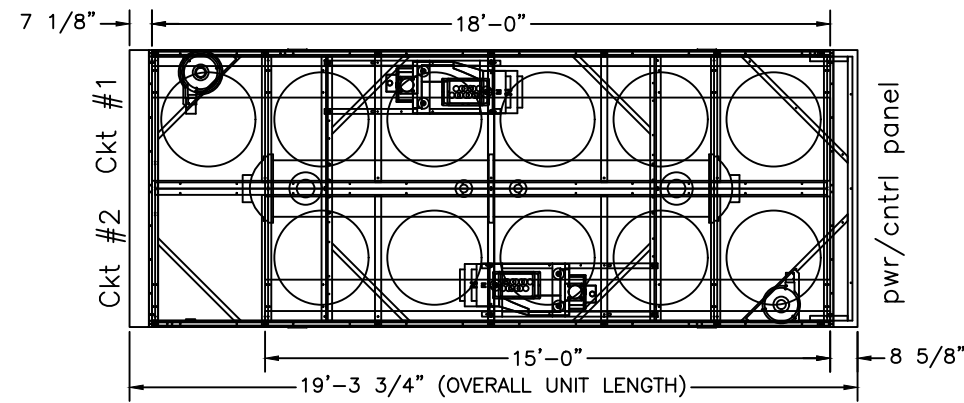
13' base

- 140 Ton RTAC+ (Standard) 60 Hz M1M1
- 140 Ton RTAC+ (Standard) 50 Hz M2M2
- 116 Ton RTAC+ (High) 60 Hz L2L2
- 116 Ton RTAC+ (High) 50 Hz M1M1



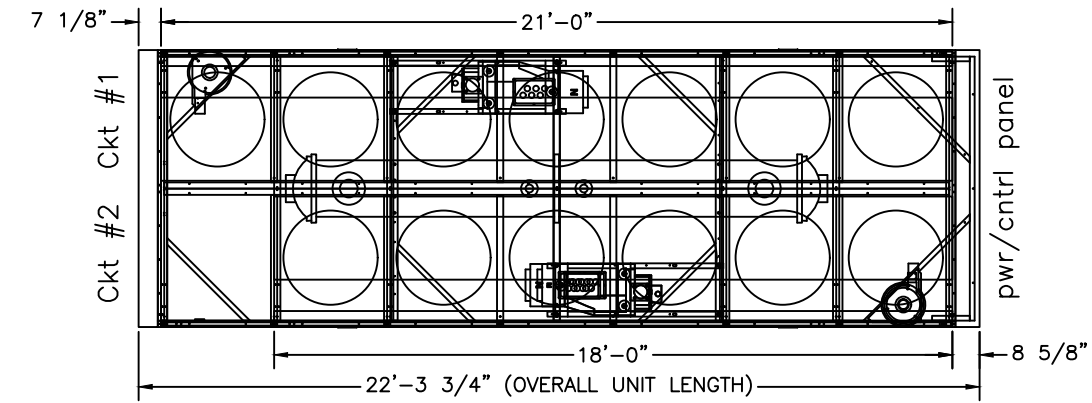
18' bases

- 155 Ton RTAC+ (High) 60 Hz M2M1
- 155 Ton RTAC+ (High) 50 Hz N1M2
- 185 Ton RTAC+ (Standard) 60 Hz N1M2
- 185 Ton RTAC+ (Standard) 50 Hz N2N1

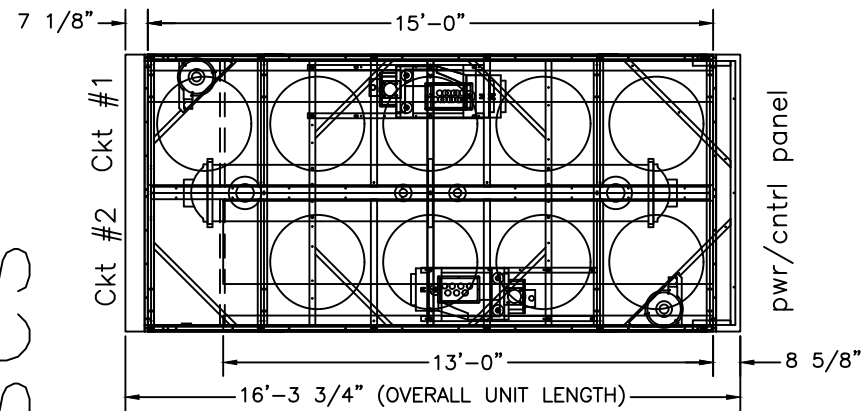


21' bases

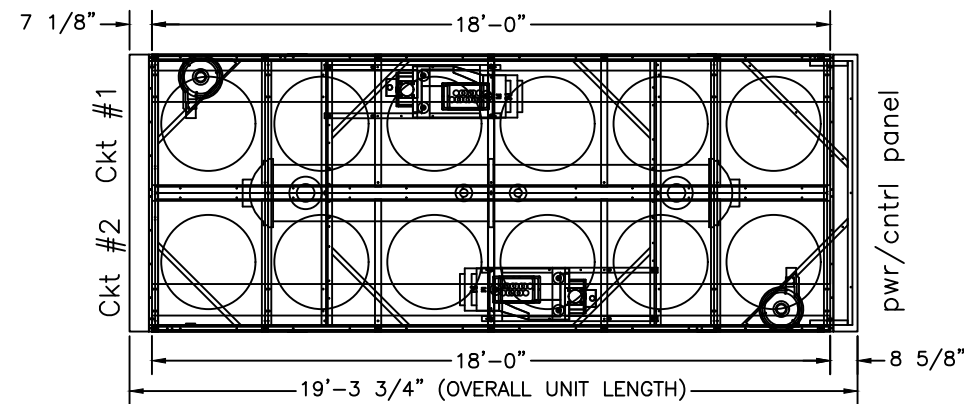
- 185 Ton RTAC+ (High) 60 Hz N1M2
- 185 Ton RTAC+ (High) 50 Hz N2N1
- 225 Ton RTAC+ (Standard) 60 Hz N2N1



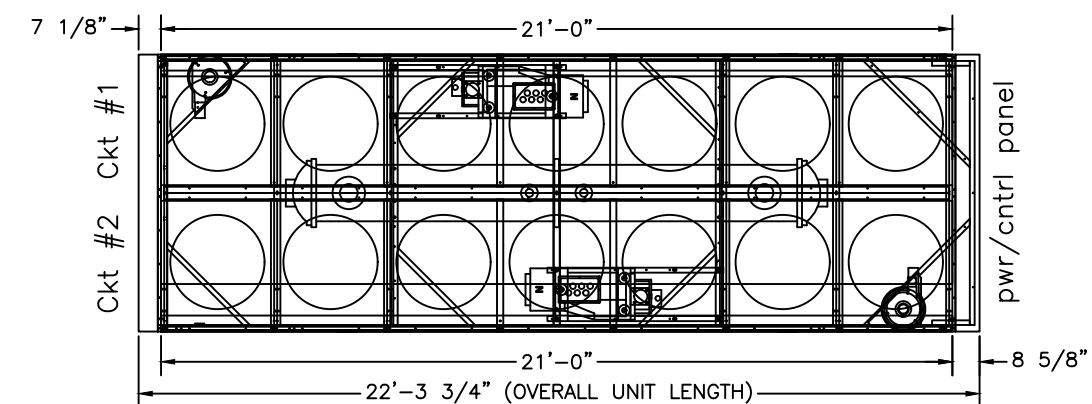
- 130 Ton RTAC+ (High) 60 Hz M1L2
- 130 Ton RTAC+ (High) 50 Hz M2M1
- 155 Ton RTAC+ (Standard) 60 Hz M2M1
- 155 Ton RTAC+ (Standard) 50 Hz N1M2



- 170 Ton RTAC+ (High) 60 Hz M2M2
- 170 Ton RTAC+ (High) 50 Hz N1N1
- 200 Ton RTAC+ (Standard) 60 Hz N1N1
- 200 Ton RTAC+ (Standard) 50 Hz N2N2

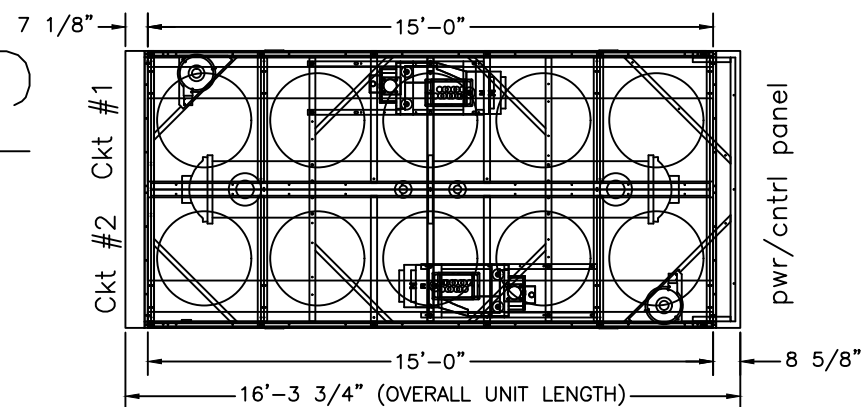


- 200 Ton RTAC+ (High) 60 Hz N1N1
- 200 Ton RTAC+ (High) 50 Hz N2N2
- 250 Ton RTAC+ (Standard) 60 Hz N2N2



bases

- 140 Ton RTAC+ (High) 60 Hz M1M1
- 140 Ton RTAC+ (High) 50 Hz M2M2
- 170 Ton RTAC+ (Standard) 60 Hz M2M2
- 170 Ton RTAC+ (Standard) 50 Hz N1N1



15'