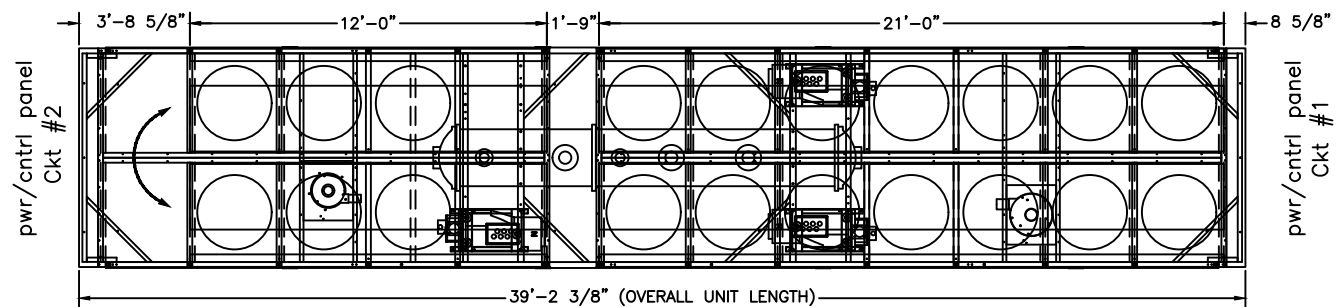


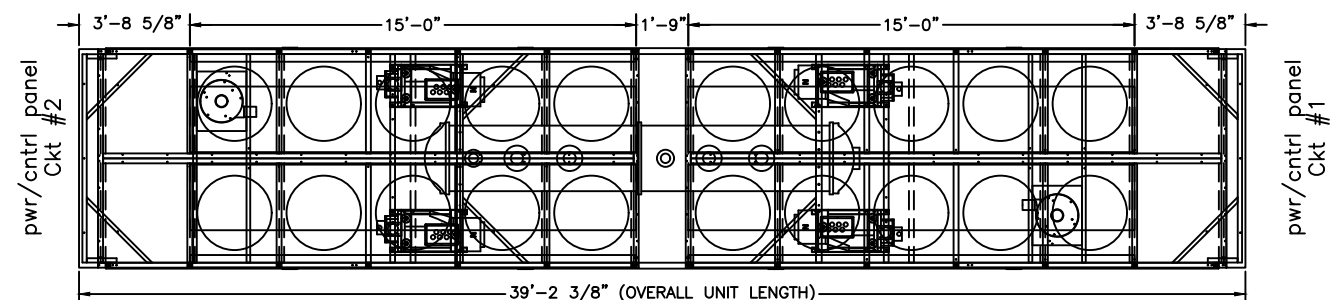
# 39' bases

300 Ton RTAC+ (High) 60 Hz N1N1N1  
 300 Ton RTAC+ (High) 50 Hz N2N2N2



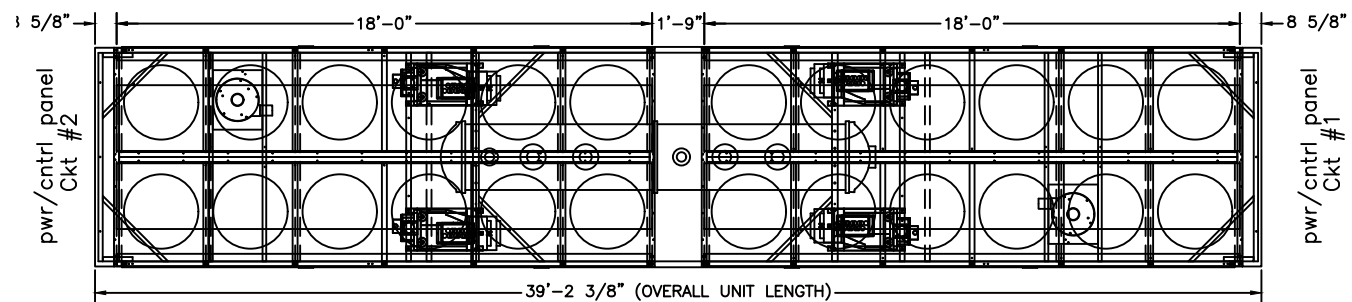
1. Moved EVAP/COMP 6" left of base center

350 Ton RTAC+ (Standard) 50 Hz N1N1N1N1



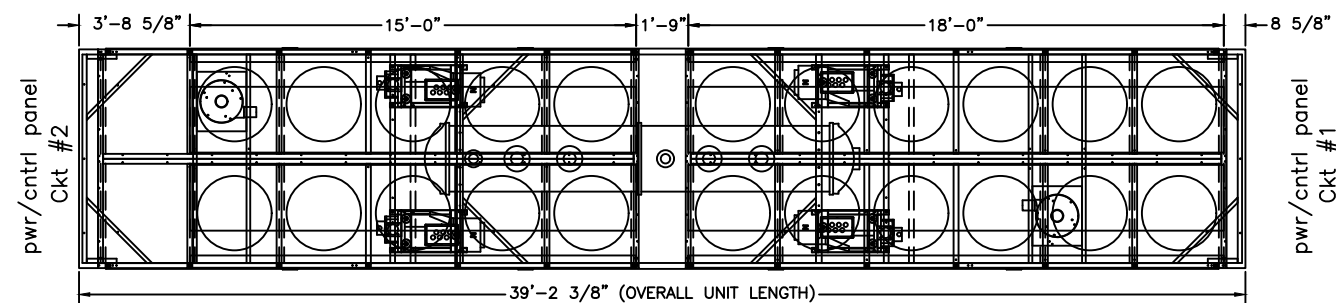
1. Moved EVAP/COMP 9.2" left of base center

350 Ton RTAC+ (High) 60 Hz M2M2M2M2  
 350 Ton RTAC+ (High) 50 Hz N1N1N1N1  
 400 Ton RTAC+ (Standard) 60 Hz N1N1N1N1  
 400 Ton RTAC+ (Standard) 50 Hz N2N2N2N2



1. Moved EVAP/COMP 9.2" left of base center

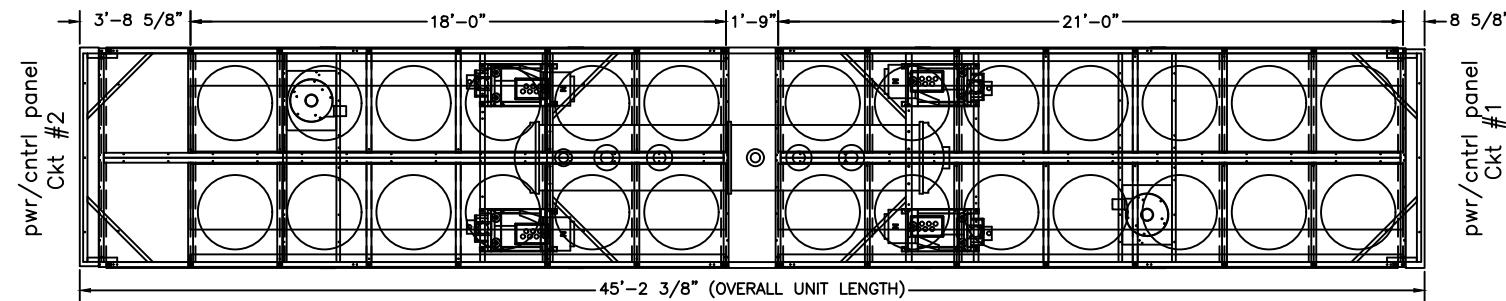
375 Ton RTAC+ (Standard) 50 Hz N2N2N1N1



1. Moved EVAP/COMP 9.2" left of base center

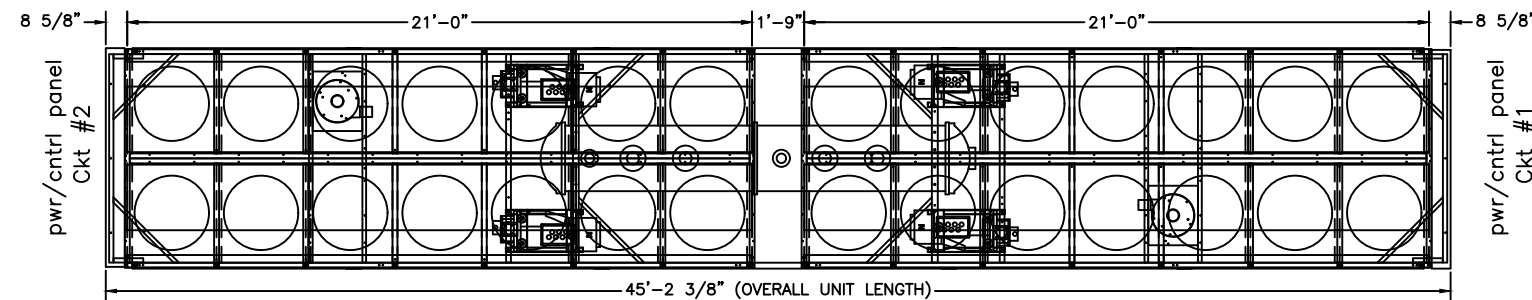
# 45' bases

375 Ton RTAC+ (High) 50 Hz N2N2N1N1  
 450 Ton RTAC+ (Standard) 60 Hz N2N2N1N1



1. Moved EVAP/COMP 9.2" left of base center

400 Ton RTAC+ (High) 60 Hz N1N1N1N1  
 400 Ton RTAC+ (High) 50 Hz N2N2N2N2  
 450 Ton RTAC+ (High) 60 Hz N2N2N1N1  
 500 Ton RTAC+ (Standard) 60 Hz N2N2N2N2



1. Moved EVAP/COMP 9.2" left of base center

