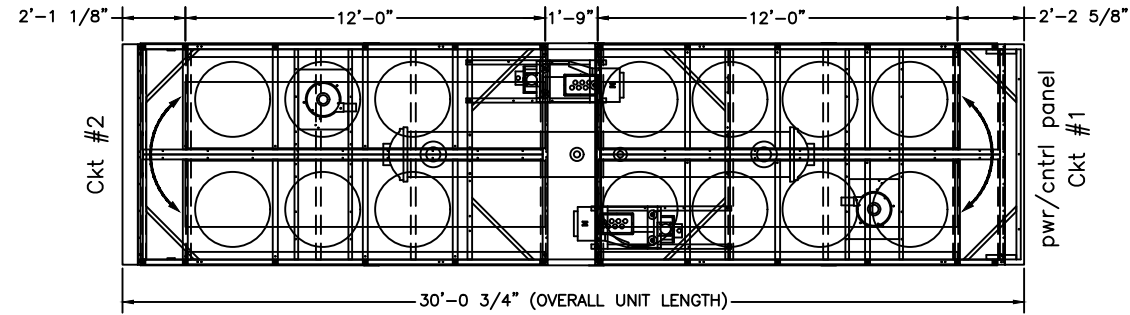


# 30' bases

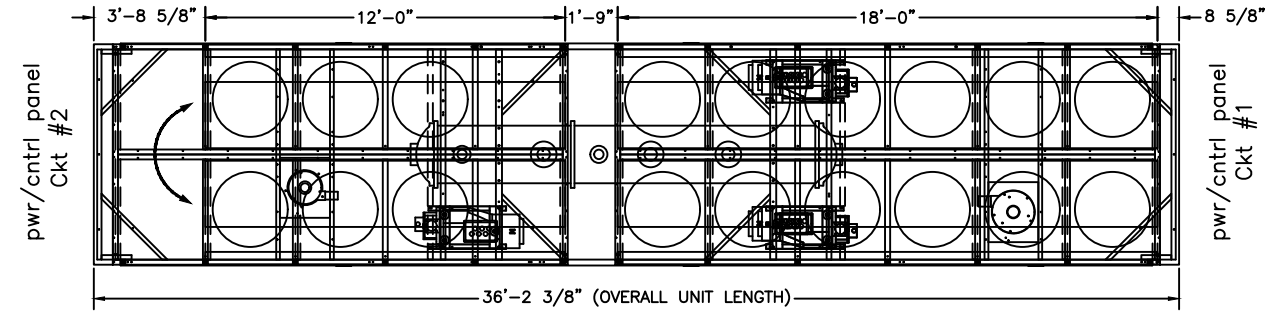
225 Ton RTAC+ (High) 60 Hz N2N1



1. Moved EVAP/COMP 10.9375" right of base center

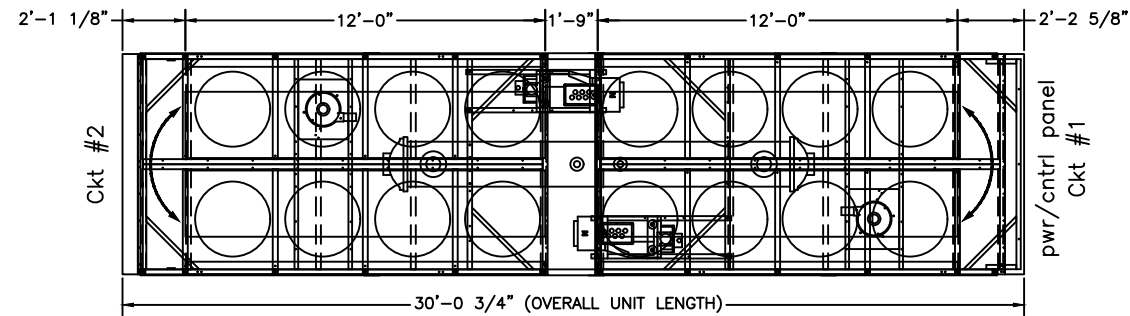
# 36' bases

275 Ton RTAC+ (High) 60 Hz M2M2N1  
275 Ton RTAC+ (High) 50 Hz N1N1N2



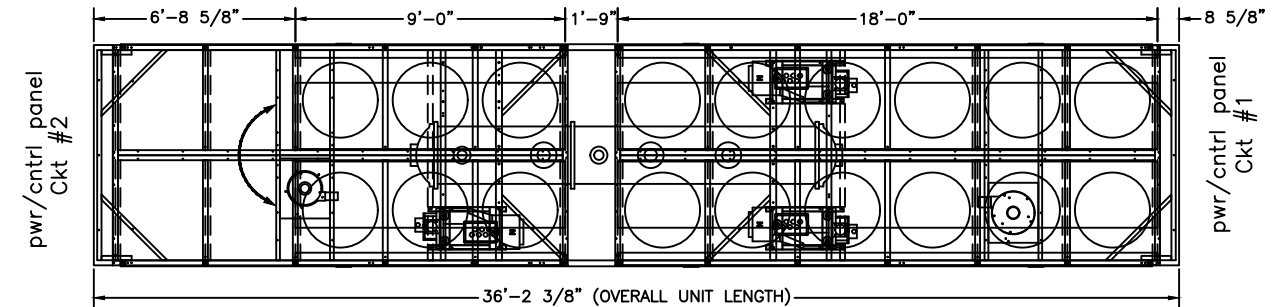
1. Moved EVAP/COMP 4" left of base center

250 Ton RTAC+ (High) 60 Hz N2N2



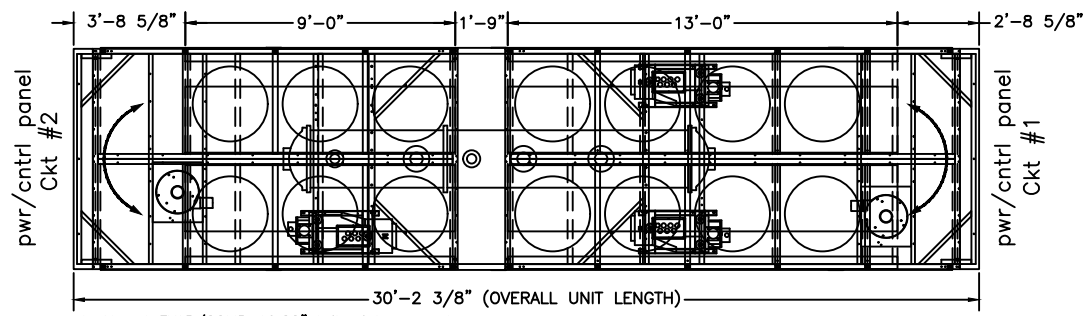
1. Moved EVAP/COMP 10.9375" right of base center

300 Ton RTAC+ (Standard) 60 Hz N1N1N1  
300 Ton RTAC+ (Standard) 50 Hz N2N2N2



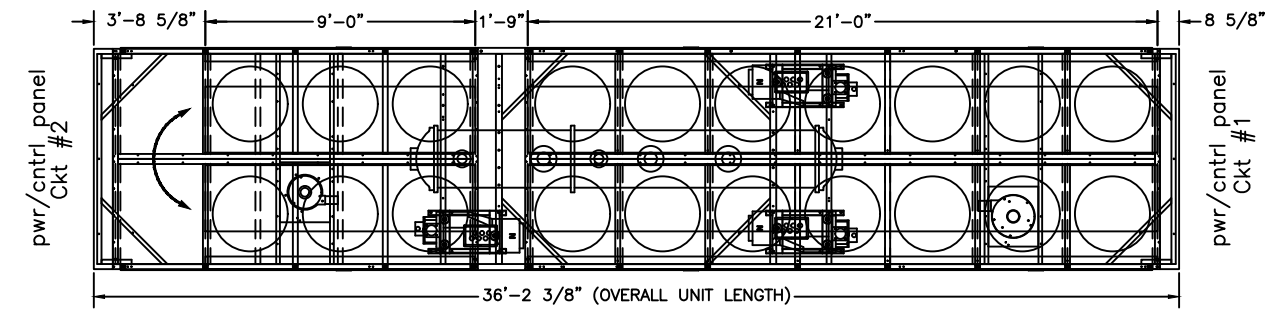
1. Moved EVAP/COMP 4" left of base center

250 Ton RTAC+ (Standard) 50 Hz M2M2N2



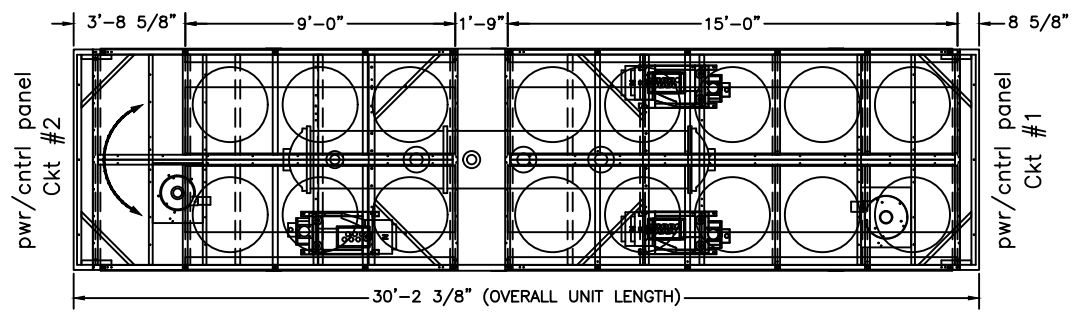
1. Moved EVAP/COMP 10.88" left of base center

350 Ton RTAC+ (Standard) 60 Hz N2N2N1



1. Moved EVAP/COMP 4" left of base center

250 Ton RTAC+ (High) 50 Hz M2M2N2  
275 Ton RTAC+ (Standard) 60 Hz M2M2N1  
275 Ton RTAC+ (Standard) 50 Hz N1N1N2



1. Moved EVAP/COMP 10.88" left of base center