



SERIES R70 DIFFERENTIAL PRESSURE SWITCHES offer complete flexibility in system design and are engineered for proven design, dependability and economy.

RELIABILITY: minimum mechanical and electrical life in excess of 1,000,000 cycles.

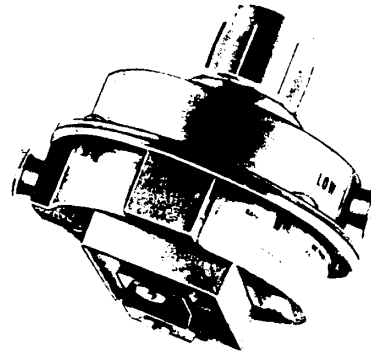
REPAIRABILITY: field maintenance can be performed in accord with general maintenance and overhaul procedure.

ADAPTABILITY: mounting brackets and fitting connections present few installation problems. BEC Pressure Controls are available to meet virtually all industrial requirements.

APPLICATIONS:

- NATURAL, FORCED AND INDUCED DRAFT BOILERS.
- EXHAUST FANS AND VENTILATING SYSTEMS.
- AIR-CONDITIONING AND HEAT PUMP CONTROL
- DUST COLLECTING SYSTEMS.
- INSTRUMENT CABINETS-AIR PURGE.
- ROLL-AWAY TYPE FILTERS.
- AIR CURTAINS.
- PRESSURIZED ROOMS AND ENCLOSURES.
- BULK CHEMICAL, FOOD PROCESSING, GRAIN DRYING.
- MANY ADDITIONAL MILITARY AND INDUSTRIAL APPLICATIONS.

SERIES R70 DIFFERENTIAL PRESSURE SWITCHES (.15 to 30 Inches Water Column)



Ranges shown below are for listed switches. Higher ranges are possible with the SERIES R70. Other series are available with a wider choice of ranges.

Calibration is with diaphragm vertical unless specified.

Type	Spring No.	Range " of Water	Dead Band Avg.	Max. Press.
R70 **	B1	.6 - 2.2	.5	15"
	C1	.65 - 4.0	.53	15"
	2	1.5 - 8.0	.75	30"
	9	2.0 - 22.0	1.1	70"
R72	B1	.15 - 1.25	.08	15"
	C1	.15 - 4.0	.09	15"
	2	.4 - 8.0	.13	30"
	9	2.0 - 22.0	.22	70"
R74	B1	.20 - 2.25	.17	15"
	C1	.22 - 4.0	.19	15"
	2	.5 - 8.0	.25	30"
	9	2.0 - 22.0	.48	70"

** R70-15 AMP RATED @ 125/250/480 VAC
R72-10 AMP RATED @ 125/250/480 VAC
R74-10 AMP RATED @ 125/250/480 VAC

SPRING COLOR CODE: B1 — PINK; C1 — NONE; 2 — YELLOW; 9 — ORANGE.

DISTORTION OF INTERNAL PARTS WILL NOT OCCUR IF MAXIMUM PRESSURE IS NOT EXCEEDED.

SPECIFY GOLD CONTACTS FOR LOGIC CIRCUITRY INTERFACING.





SPECIFICATIONS:

TYPE SENSING:

POSITIVE, NEGATIVE OR DIFFERENTIAL

ELECTRICAL CHARACTERISTICS:

10 AMP 125/250/480 VAC
125 VA PILOT DUTY @ 125/250 VAC

15 AMP 125/250/480 VAC
1/4 AMP 125 VDC, 1/4 AMP 250 VDC
125 VA PILOT DUTY @ 125/250 VAC
1/8 HP @ 125 VAC, 1/4 HP @ 250 VAC

TEMPERATURE RANGE:

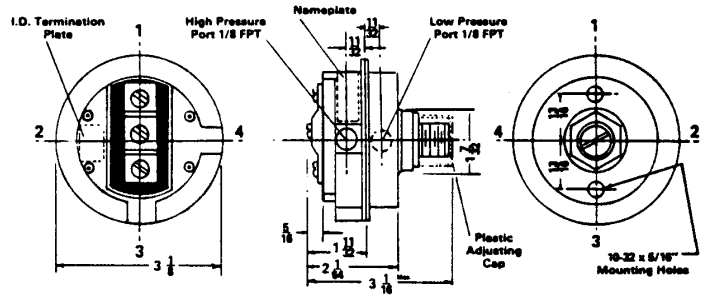
-65°F TO 165°F

MEDIUM:

AIR OR ANY GASEOUS MEDIA NOT HARMFUL TO SILICONE OR ALUMINUM.
NOTE: OPEN SWITCH CONTACTS ARE IN HIGH PRESSURE CHAMBER.

MOUNTING:

ALL MOUNTING OPTIONS CAN BE ATTACHED EXTERNALLY.



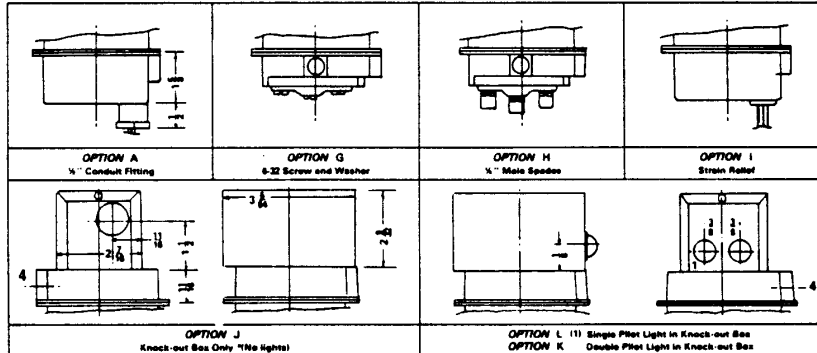
HOW TO ORDER: EXAMPLE R72-B1-GC-137

TYPE _____
ADJ. RANGE OF SPRING _____
OPTIONS DESIRED _____
CUSTOMER SEQUENCE NO. ASSIGNED BY BEC _____

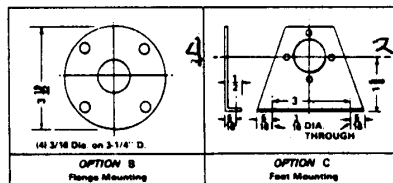
OPTIONS

FOR EXPLOSION-PROOF ENCLOSURE, SEE BULLETIN R70-X, THIS SECTION

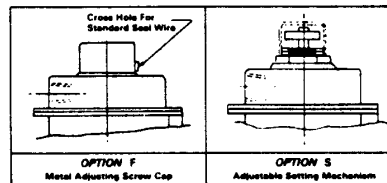
TERMINATION OPTIONS:



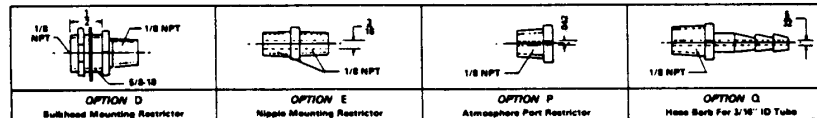
MOUNTING OPTIONS:



ADJUSTING MECHANISM OPTIONS:



FITTING OPTIONS:



PORT LOCATION OPTIONS:

STANDARD: HIGH PRESSURE PORT - POS. 4 LOW PRESSURE PORT - POS. 2	OPTION T: HIGH PRESSURE PORT - POS. 4 LOW PRESSURE PORT - POS. 1	OPTION U: HIGH PRESSURE PORT - POS. 4 LOW PRESSURE PORT - POS. 3	OPTION V: HIGH PRESSURE PORT - POS. 4 LOW PRESSURE PORT - POS. 4
--	--	--	--

