

	REVISION	VERSION
DRAWING	D	0

UNLESS OTHERWISE SPECIFIED ALL DIMENSIONS ARE IN INCHES. TOLERANCE:

.X =± 0.0
 .XX =± 0.00
 .XXX =± 0.030

FINISH ✓

ANGLES =± 3.0 ° HOLE DIA = + 0.005
 - 0.005
 CONFORMS TO ASME Y14.5M-1994.

TRANE

THIS DRAWING IS PROPRIETARY AND SHALL NOT BE COPIED OR ITS CONTENTS DISCLOSED TO OUTSIDE PARTIES WITHOUT THE WRITTEN CONSENT OF TRANE

DRAWN BY: E. DOWNEY ©TRANE DATE: 17-MAY-2023

DO NOT SCALE PRINT

THIRD ANGLE PROJECTION



49531986

SHEET 1 OF 1

REV D

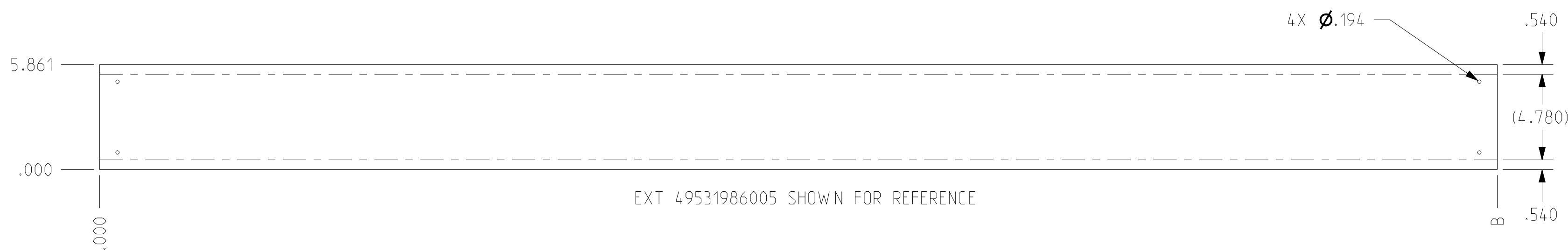
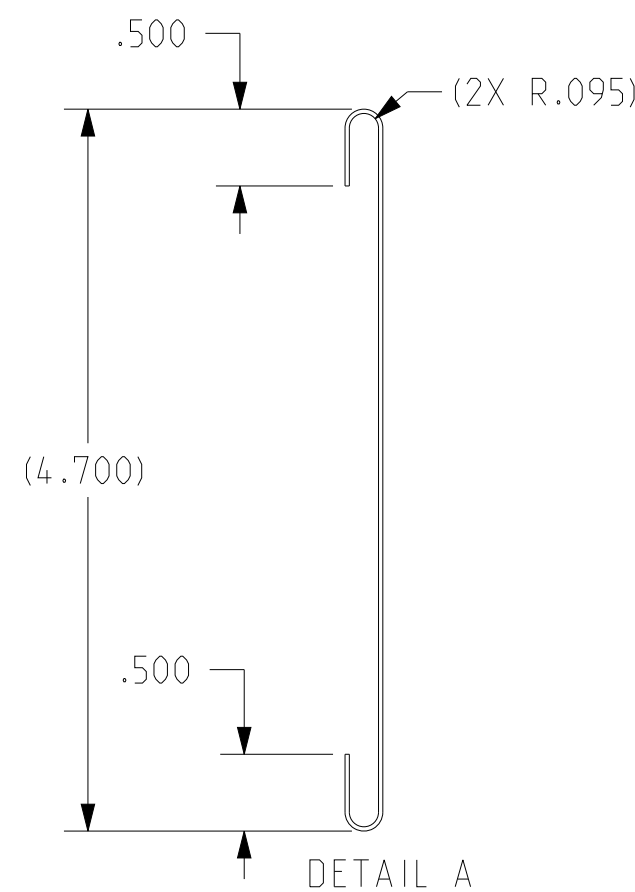
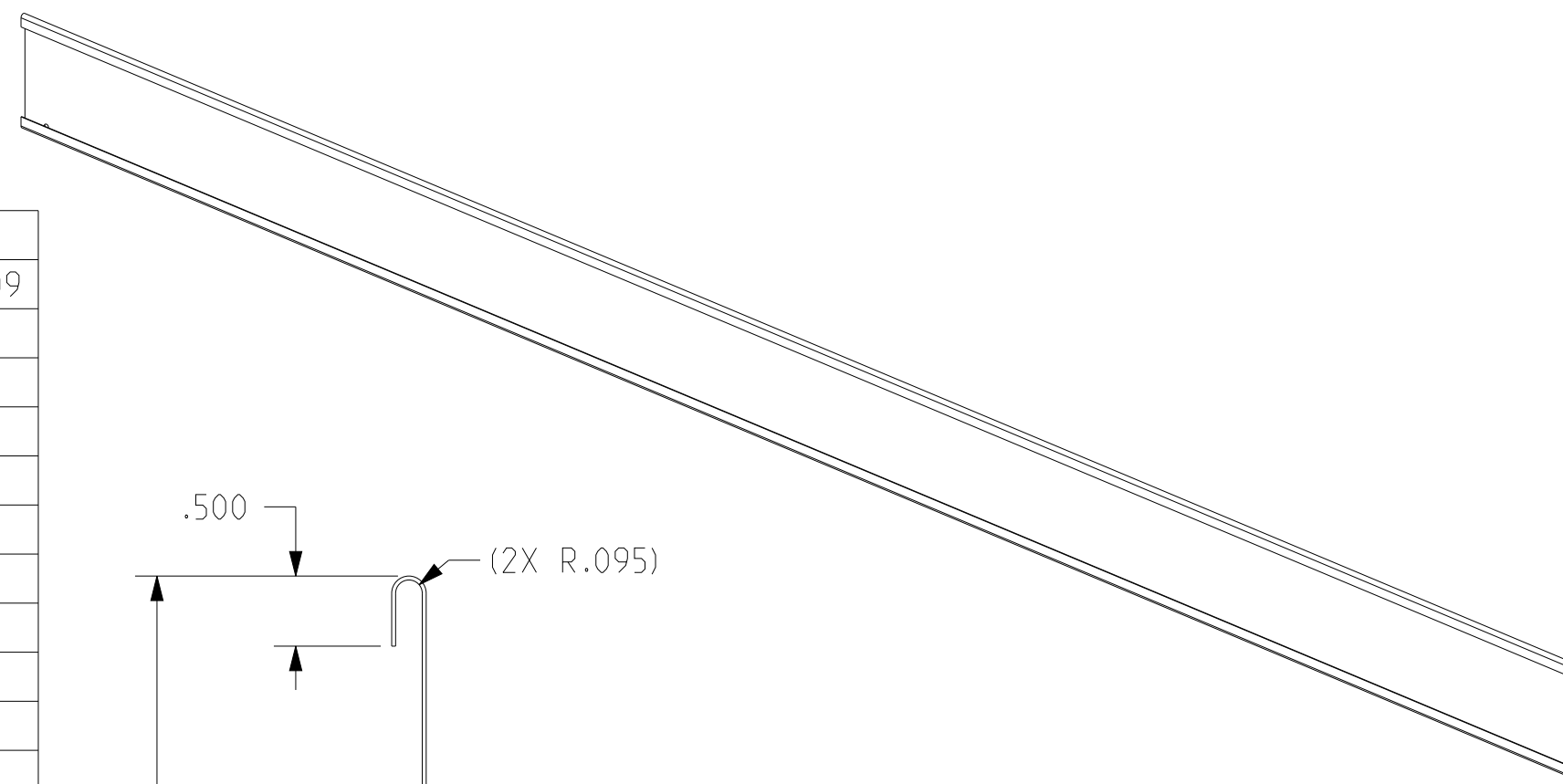
STRIP
 OUTDOOR ROOF

--

NOTES:

- DIMENSIONS ON FLAT PROVIDED FOR REFERENCE. FORMED PART MUST MEET THE FORMED DIMENSIONS WITHIN TOLERANCE.
- REFER TO MATERIAL SPECIFICATION. INFORMATION ON DRAWING SUPERCEDES THE SPECIFICATION.
- UNLESS OTHERWISE SPECIFIED, INSIDE BEND RADIUS: .095
- ALL SHARP EDGES AND CORNERS ARE TO BE DEBURRED.

EXT	NAME	DESCRIPTION	B
495319860001	STRIP; OUTDOOR ROOF, USIZ 3	M:GV L:43.000 W:5.861 T:0.028 LB:2.00	43.000
495319860002	STRIP; OUTDOOR ROOF, USIZ 4&6	M:GV L:55.500 W:5.861 T:0.028 LB:2.58	55.500
495319860003	STRIP; OUTDOOR ROOF, USIZ 8	M:GV L:62.000 W:5.861 T:0.028 LB:2.88	62.000
495319860004	STRIP; OUTDOOR ROOF, USIZ 10	M:GV L:73.000 W:5.861 T:0.028 LB:3.39	73.000
495319860005	STRIP; OUTDOOR ROOF, USIZ 12	M:GV L:78.000 W:5.861 T:0.028 LB:3.62	78.000
495319860006	STRIP; OUTDOOR ROOF, USIZ 14&17	M:GV L:83.500 W:5.861 T:0.028 LB:3.88	83.500
495319860007	STRIP; OUTDOOR ROOF, USIZ 21&25	M:GV L:91.500 W:5.861 T:0.028 LB:4.25	91.500
495319860008	STRIP; OUTDOOR ROOF, USIZ 30	M:GV L:105.000 W:5.861 T:0.028 LB:4.87	105.000
495319860009	STRIP; OUTDOOR ROOF, USIZ 35	M:GV L:111.500 W:5.861 T:0.028 LB:5.17	111.500
495319860010	STRIP; OUTDOOR ROOF, USIZ 40	M:GV L:124.000 W:5.861 T:0.028 LB:5.75	124.000



EXT 49531986005 SHOWN FOR REFERENCE

