

	REVISION	VERSION
DRAWING	A	3

UNLESS OTHERWISE SPECIFIED ALL DIMENSIONS ARE IN INCHES. TOLERANCE:

.X =± 0.0  
 .XX =± 0.00  
 .XXX =± 0.030

FINISH ✓

ANGLES =± 3.0 ° HOLE DIA = + .005  
 - .005

CONFORMS TO ASME Y14.5M-1994.

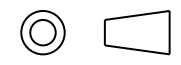
**TRANE**

THIS DRAWING IS PROPRIETARY AND SHALL NOT BE COPIED OR ITS CONTENTS DISCLOSED TO OUTSIDE PARTIES WITHOUT THE WRITTEN CONSENT OF TRANE

DRAWN BY: R.Frame ©TRANE DATE: 02-May-11

DO NOT SCALE PRINT

THIRD ANGLE PROJECTION

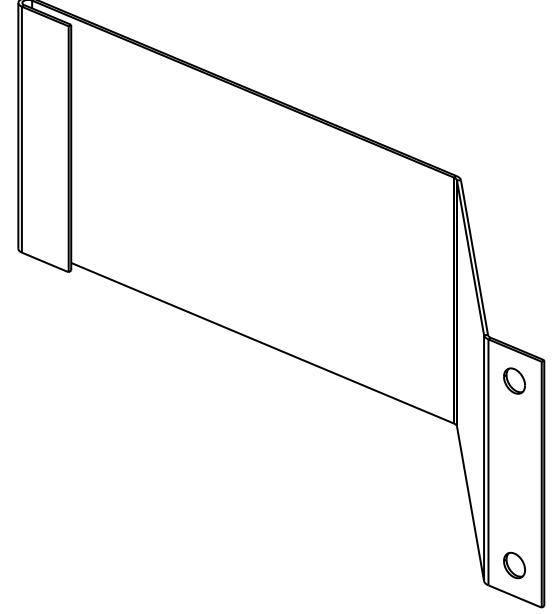
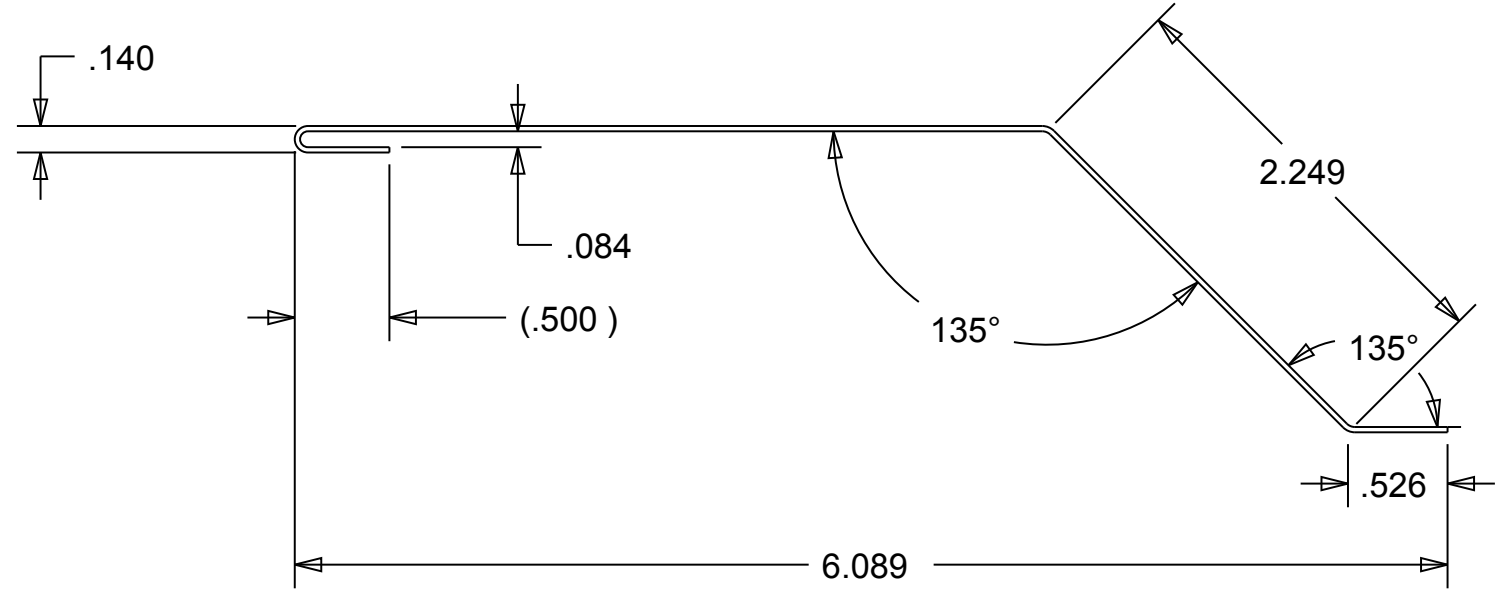


**49531529** SHEET 1 OF 1 REV **A**

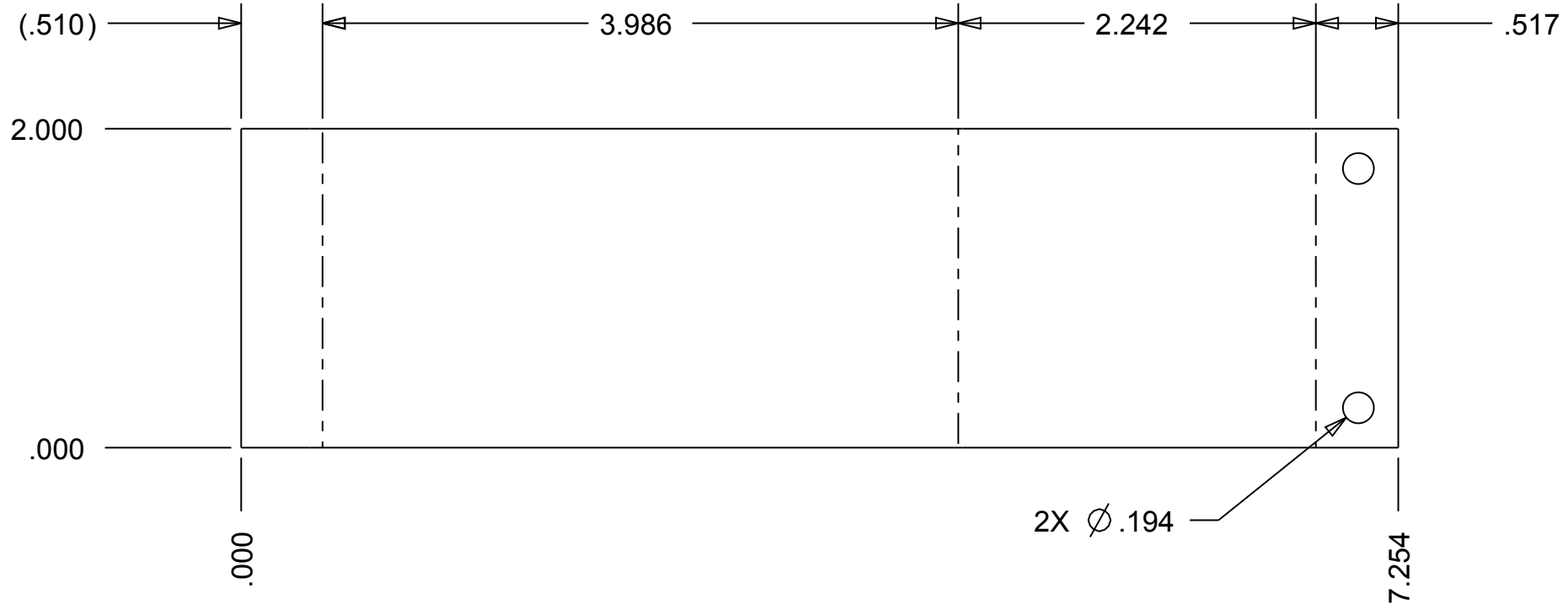
**GUARD**  
 COVER, SEAM

M:GV L:7.254 W:2.000 T:0.028

B



A



4

3

2

1