

REVISION	VERSION
B	4

UNLESS OTHERWISE SPECIFIED ALL DIMENSIONS ARE IN INCHES. TOLERANCE:

.X = ± 0.0  
 .XX = ± 0.00  
 .XXX = ± 0.040

FINISH ✓

ANGLES = ± 3.0 ° HOLE DIA = ± 0.005  
 - 0.005

CONFORMS TO ASME Y14.5M-1994.

TRANE

THIS DRAWING IS PROPRIETARY AND SHALL NOT BE COPIED OR ITS CONTENTS DISCLOSED TO OUTSIDE PARTIES WITHOUT THE WRITTEN CONSENT OF TRANE

DRAWN BY: ILYAS KHAN ©TRANE DATE: 06-JUL-2018

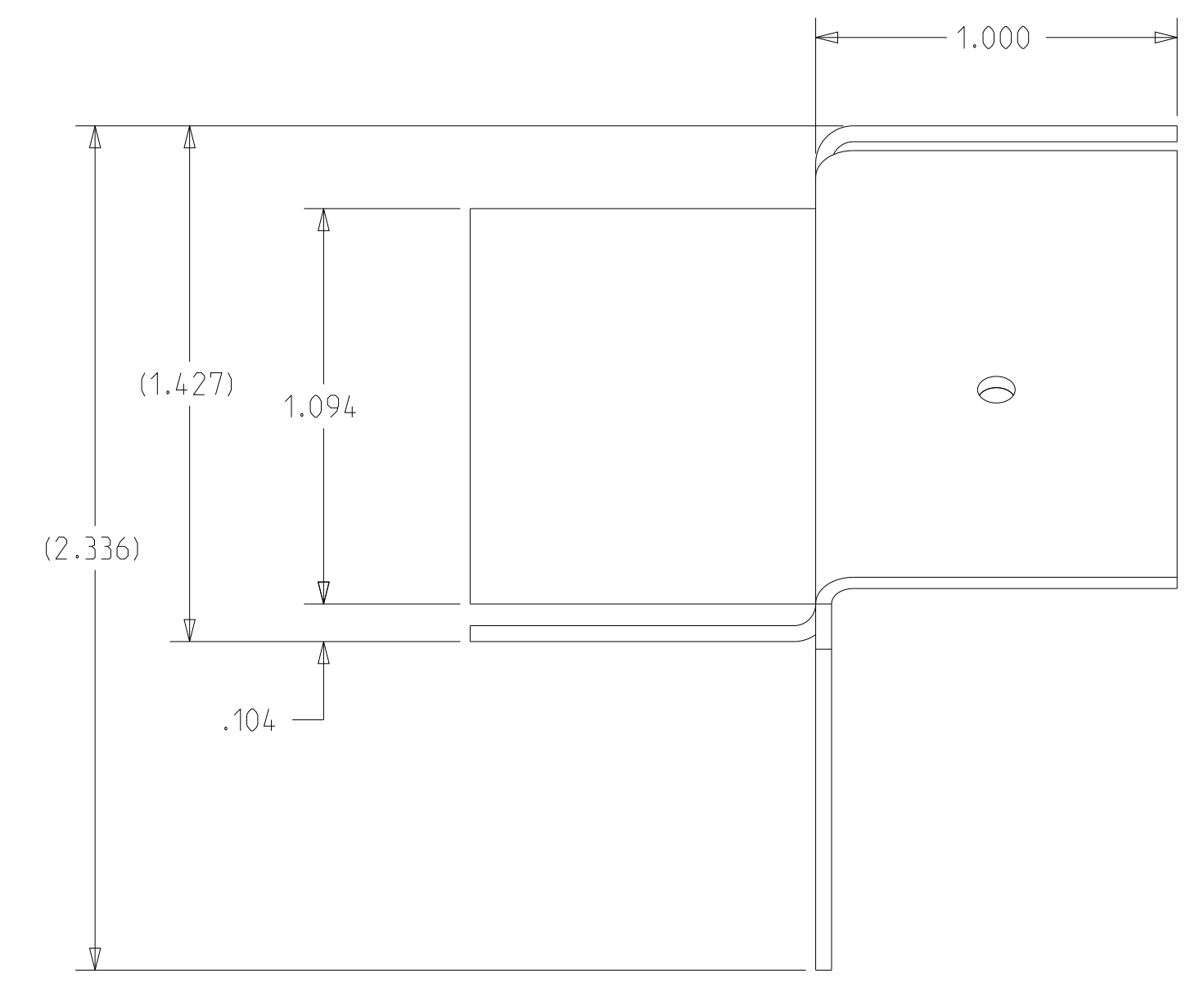
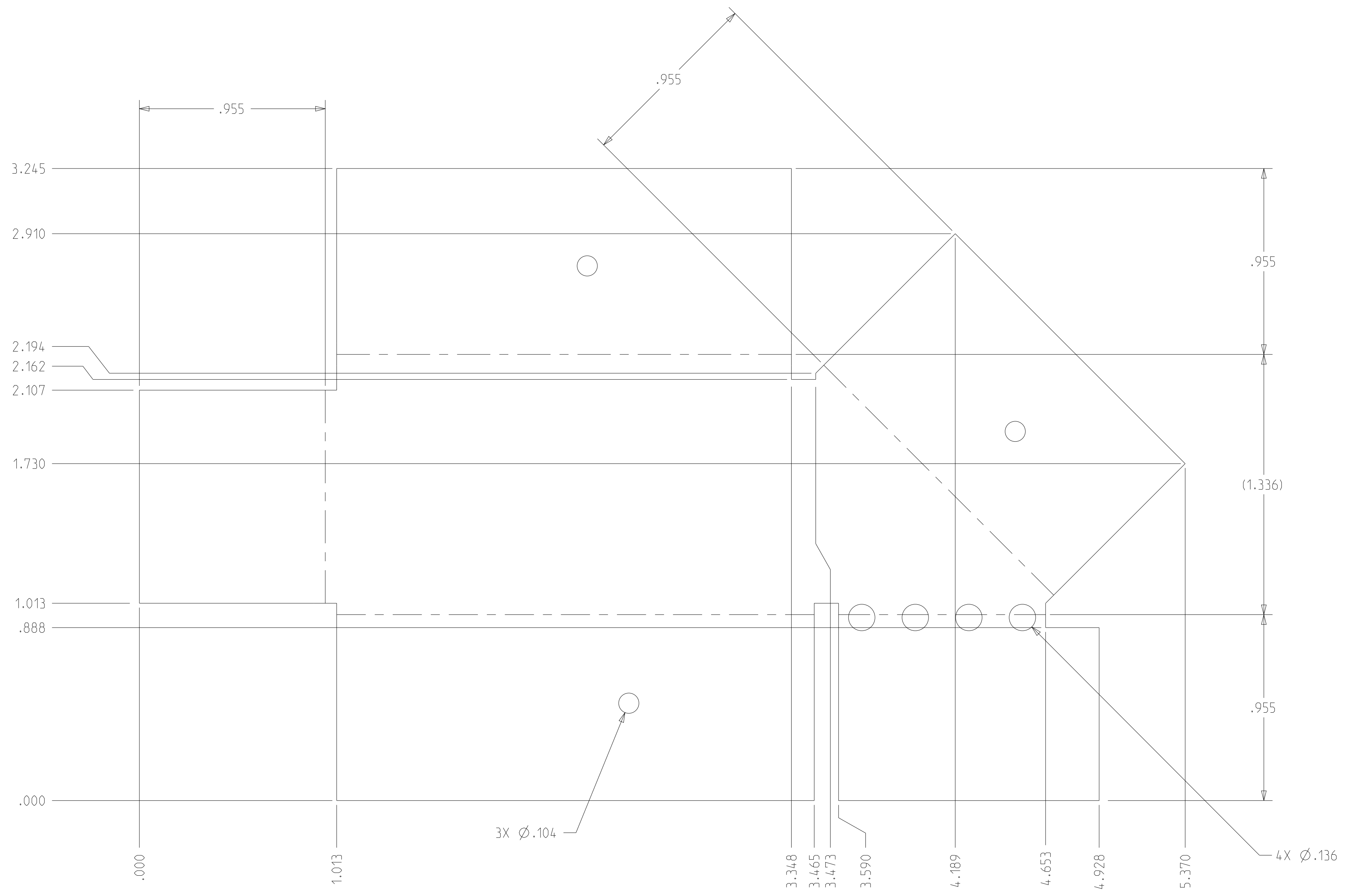
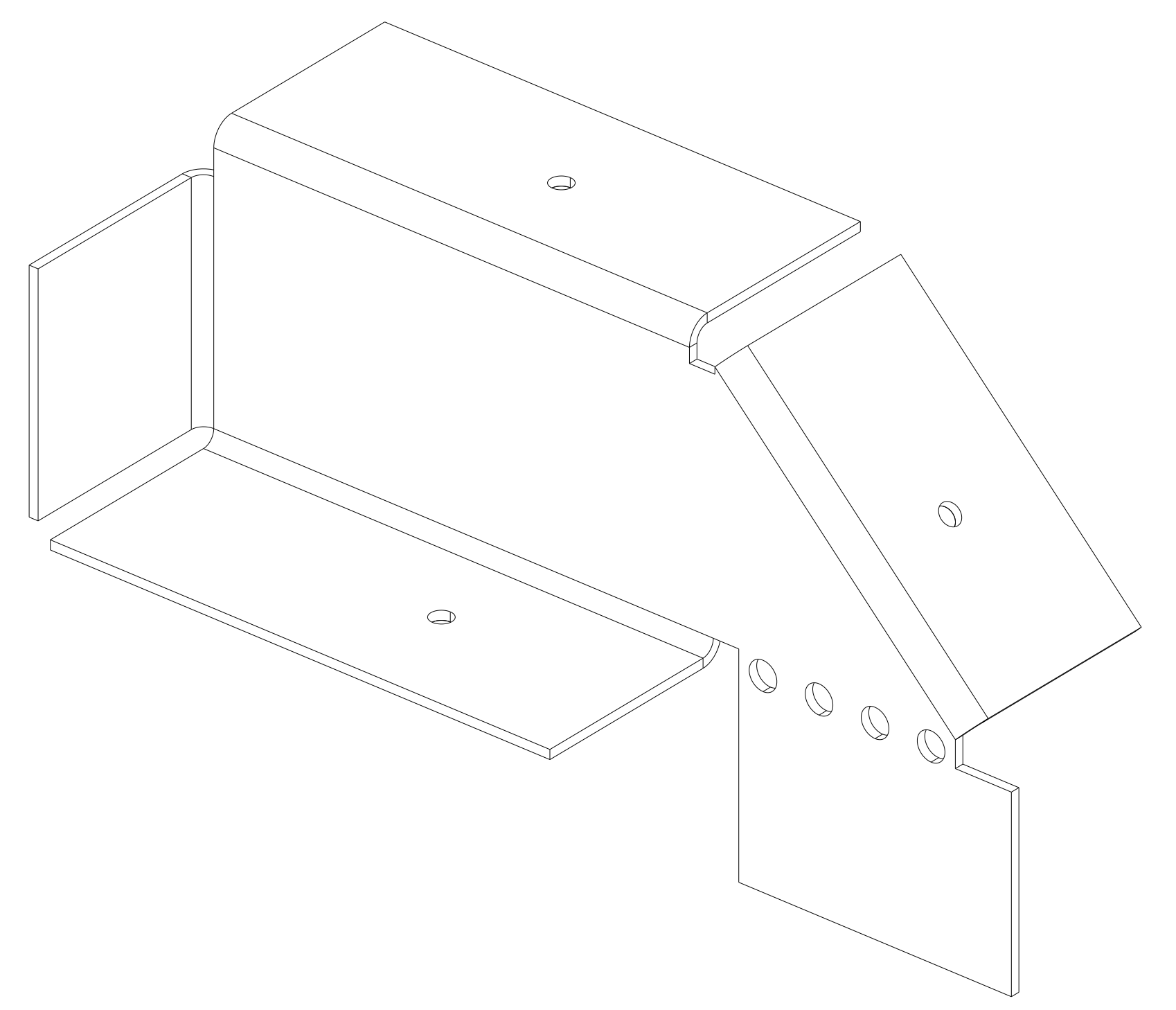
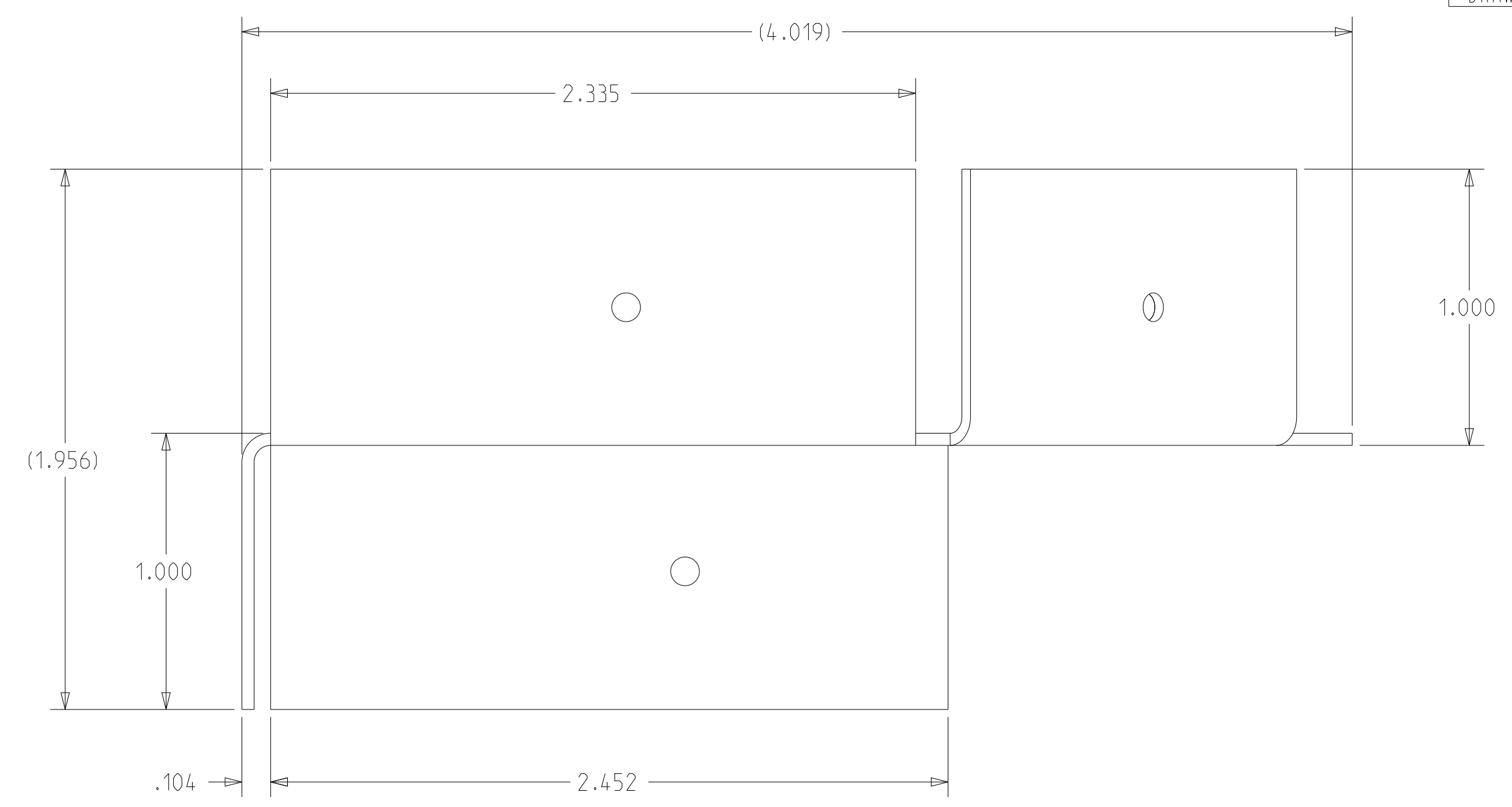
DO NOT SCALE PRINT

THIRD ANGLE PROJECTION

49533017 SHEET 1 OF 1 REV B

BRACKET STACKED ROOF SIDE GUARD

M:GV L:5.370 W:3.245 T:0.044 LB:0.22



D

C

B

A

8 | 7 | 6 | 5 | 4 | 3 | 2 | 1