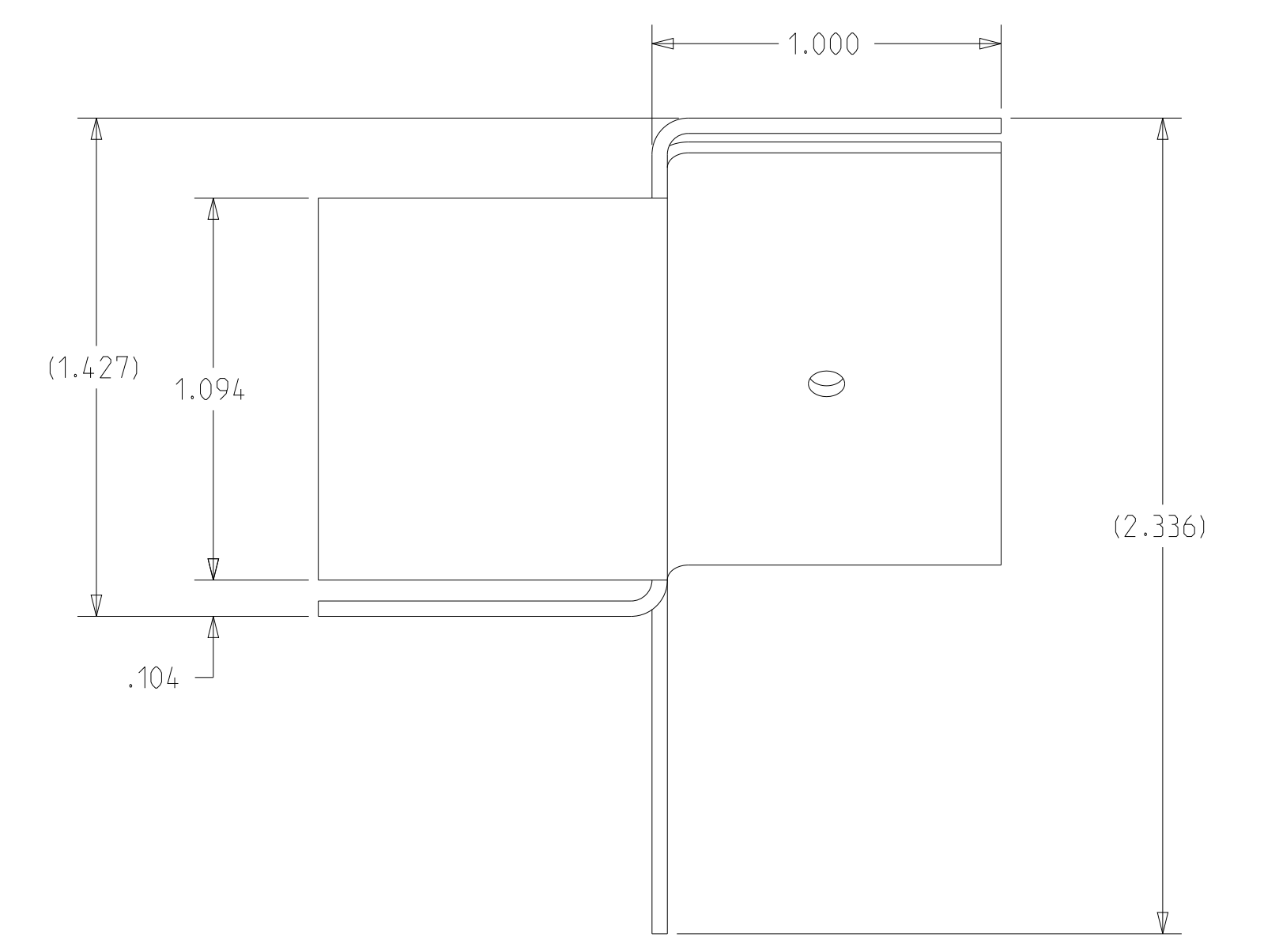
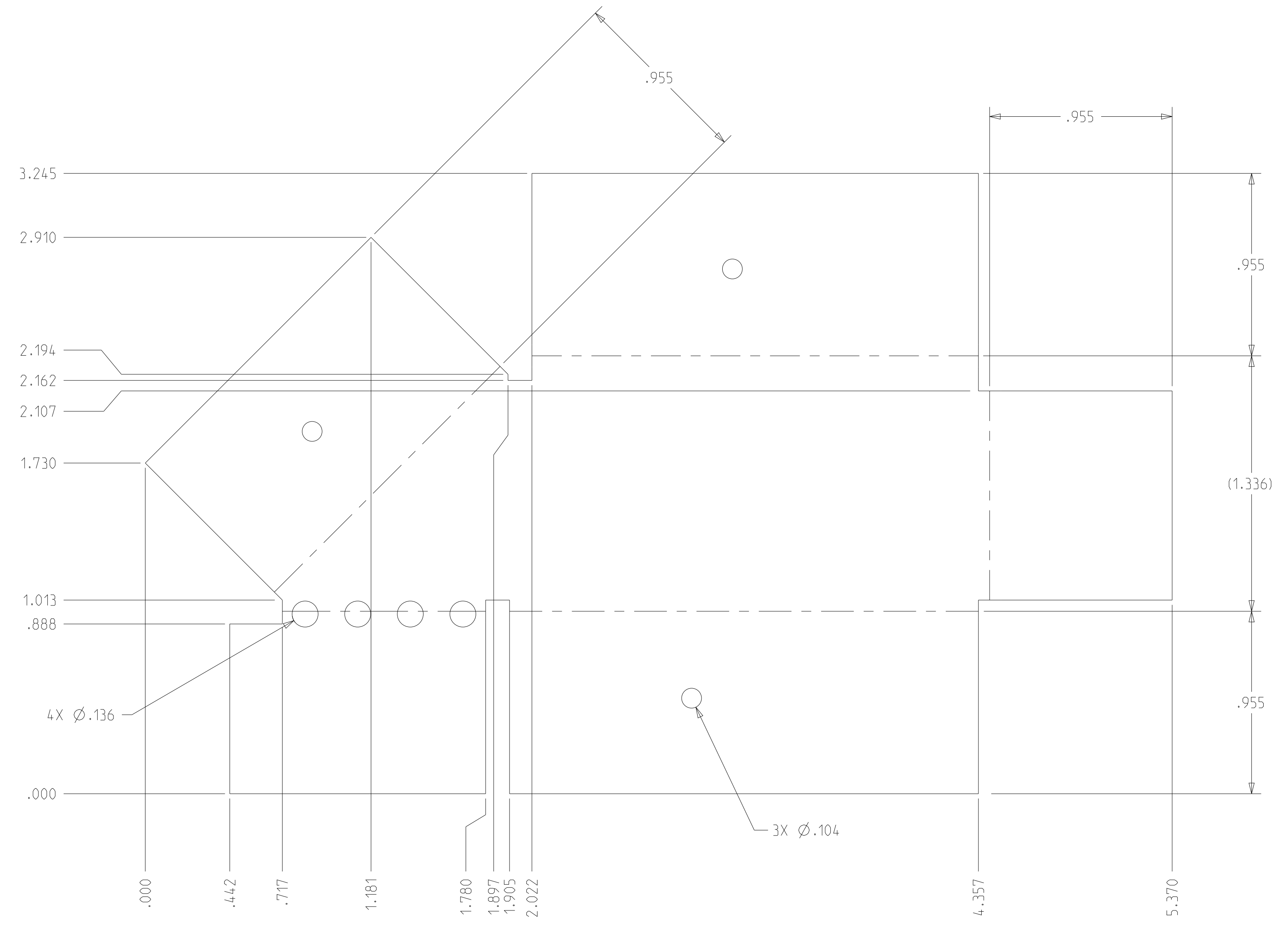
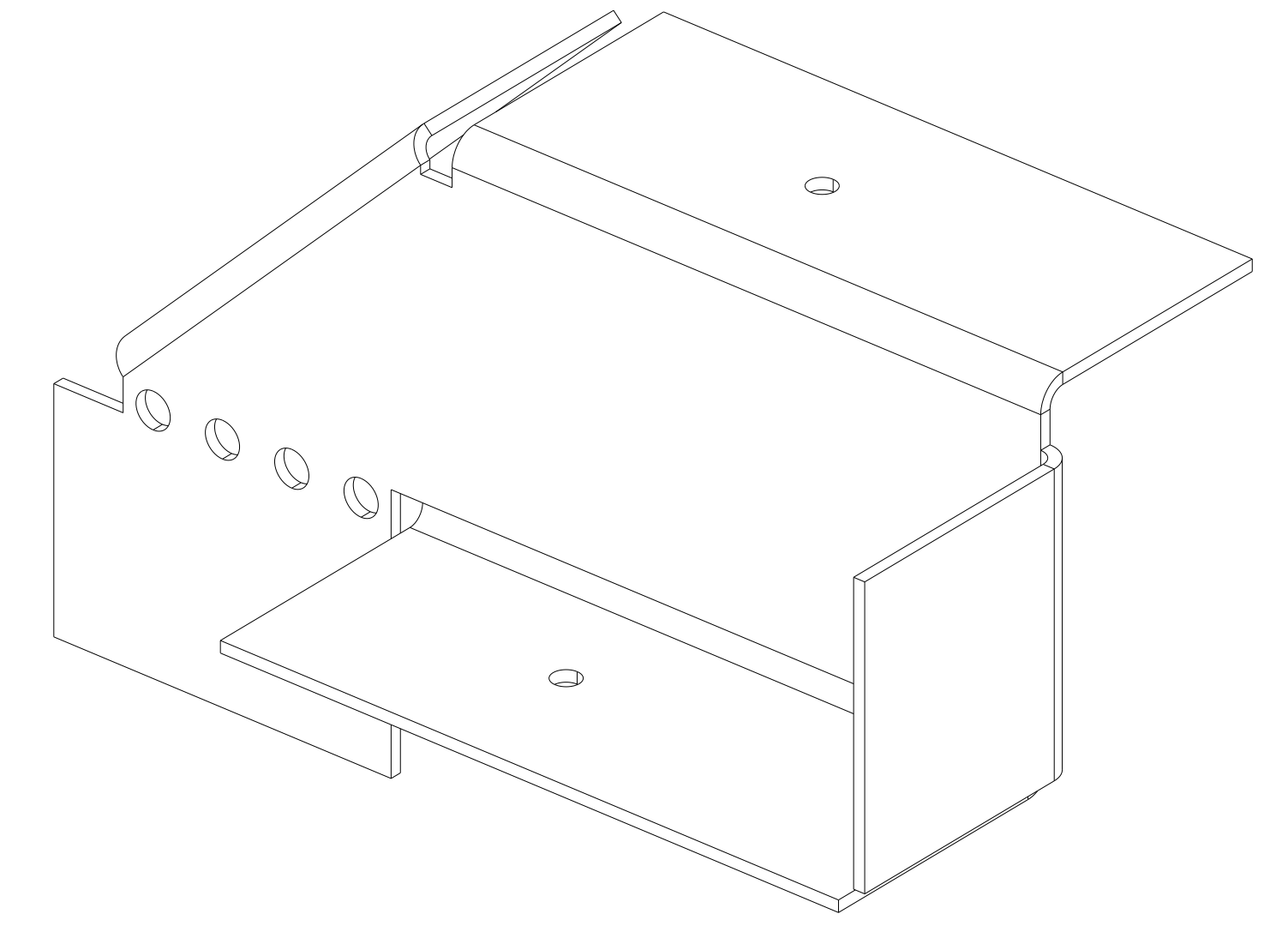
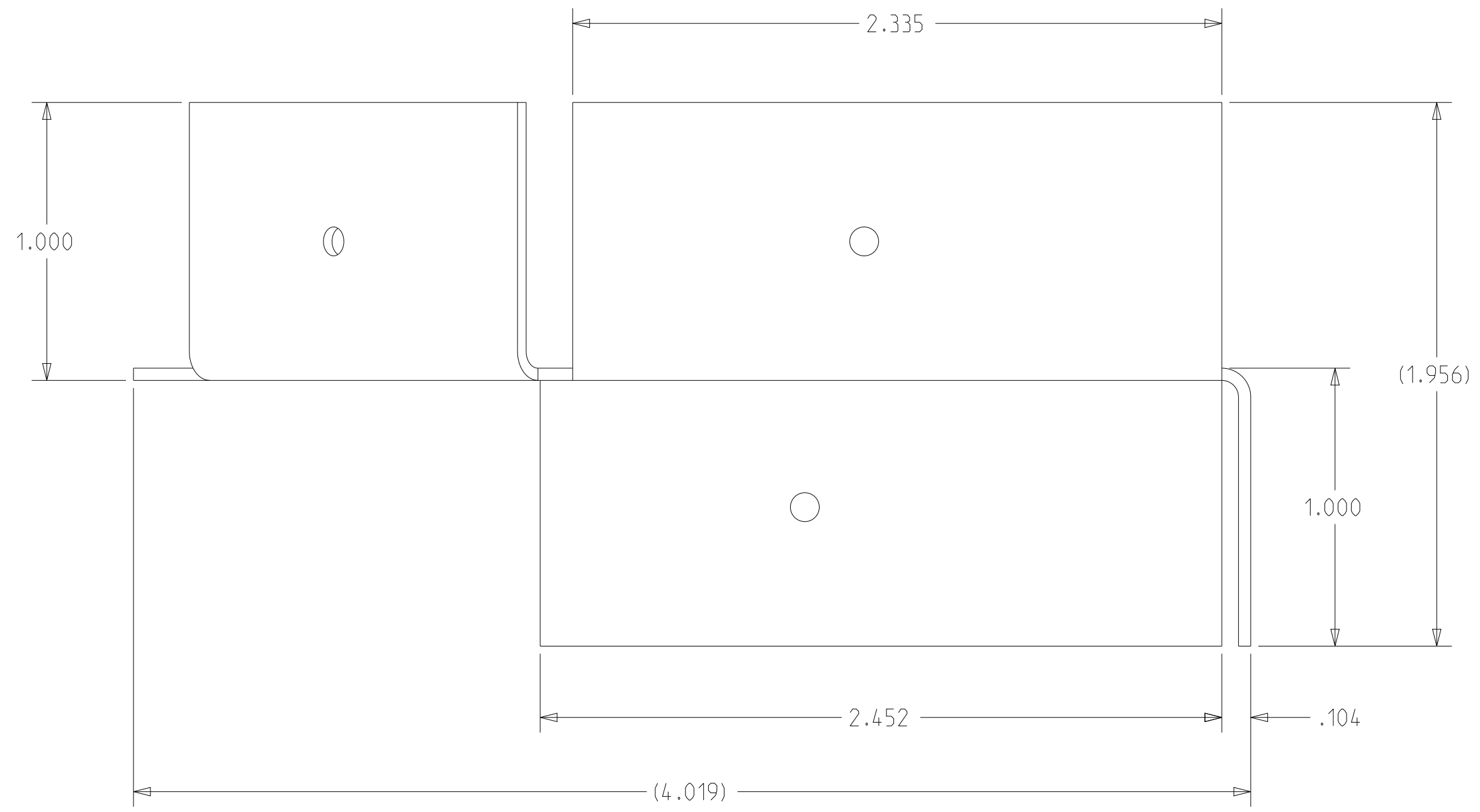


REVISION	VERSION
B	4

UNLESS OTHERWISE SPECIFIED ALL DIMENSIONS ARE IN INCHES. TOLERANCE:  
 .X = ± 0.0  
 .XX = ± 0.00  
 .XXX = ± 0.040  
 FINISH ✓  
 ANGLES = ± 3.0 ° HOLE DIA = + 0.005 / - 0.005  
 CONFORMS TO ASME Y14.5M-1994.

TRANE  
 THIS DRAWING IS PROPRIETARY AND SHALL NOT BE COPIED OR ITS CONTENTS DISCLOSED TO OUTSIDE PARTIES WITHOUT THE WRITTEN CONSENT OF TRANE  
 DRAWN BY: ILYAS KHAN ©TRANE DATE: 06-JUL-2018  
 DO NOT SCALE PRINT  
 THIRD ANGLE PROJECTION

49533018 SHEET 1 OF 1 REV B  
 BRACKET STACKED ROOF SIDE GUARD  
 M:GV L:5.370 W:3.245 T:0.044 LB:0.22



D

C

B

A

8 7 6 5 4 3 2 1