

	REVISION	VERSION
DRAWING	D	4

UNLESS OTHERWISE SPECIFIED ALL DIMENSIONS ARE IN INCHES. TOLERANCE:

.X =± 0.0
 .XX =± 0.00
 .XXX =± 0.040

FINISH ✓

ANGLES =± 3.0 ° HOLE DIA = + 0.005
 - 0.005

CONFORMS TO ASME Y14.5M-1994.

TRANE

THIS DRAWING IS PROPRIETARY AND SHALL NOT BE COPIED OR ITS CONTENTS DISCLOSED TO OUTSIDE PARTIES WITHOUT THE WRITTEN CONSENT OF TRANE

DRAWN BY: J. ORR ©TRANE DATE: 02-DEC-2011

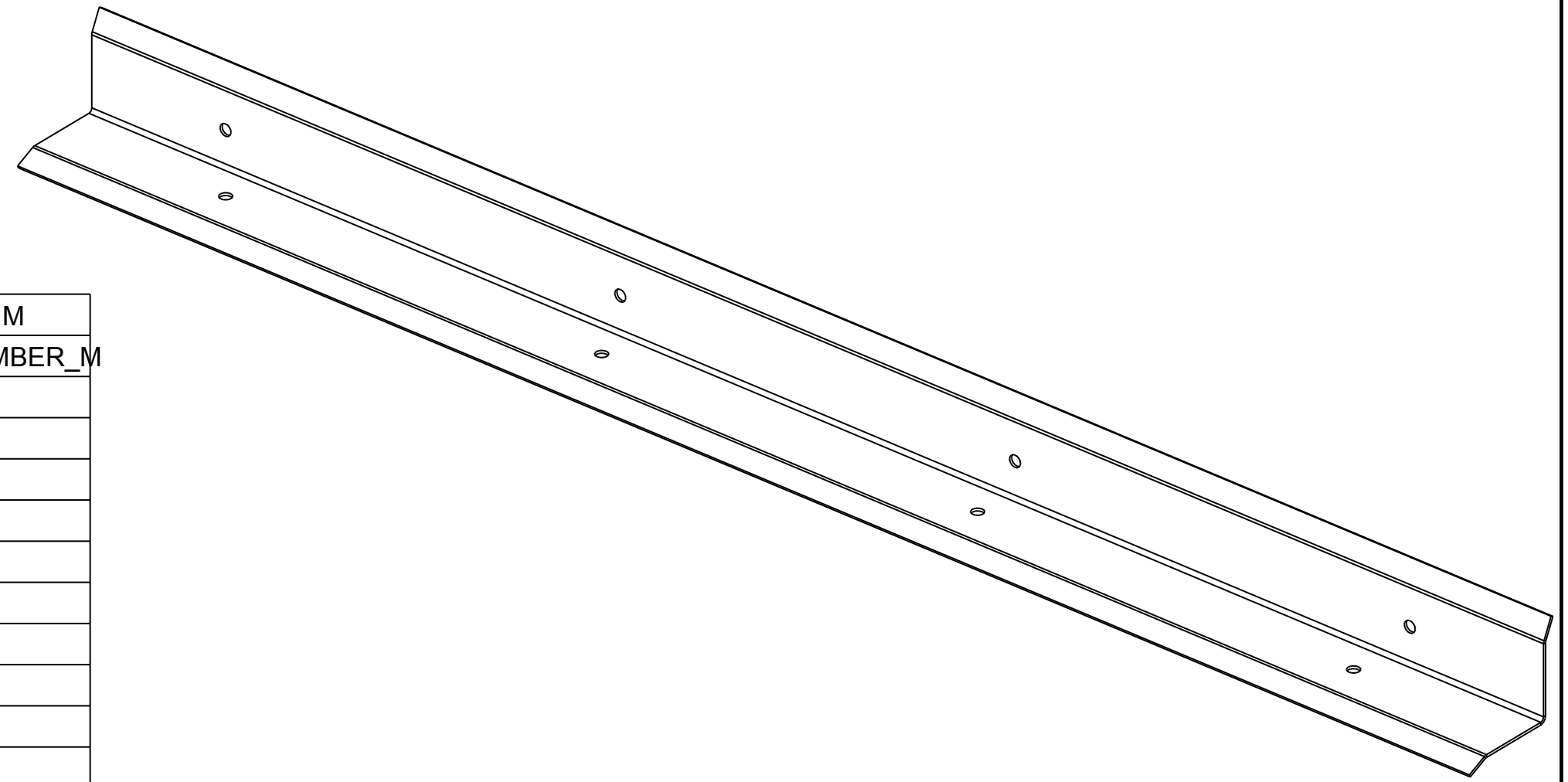
DO NOT SCALE PRINT

THIRD ANGLE PROJECTION

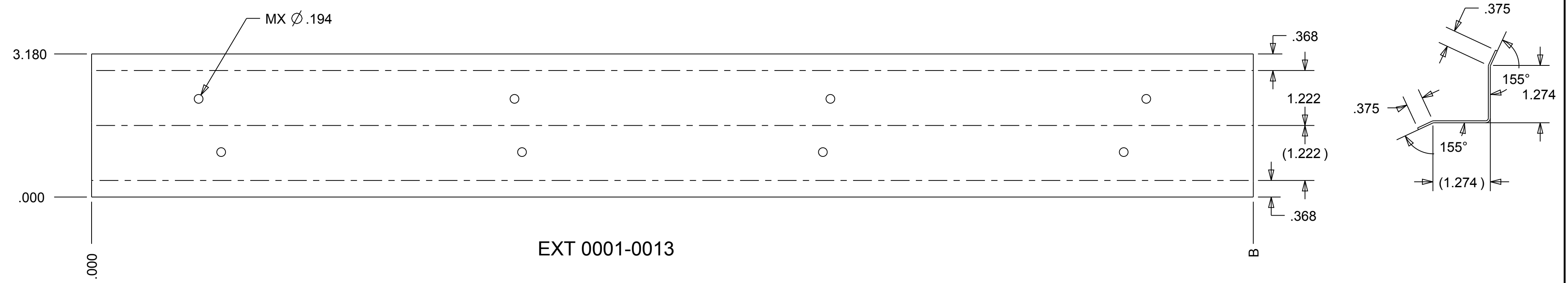
49531241

SHEET 1 OF 2 REV **D**

ANGLE
 TRIM,USIZ 3-120



EXT	DESCRIPTION	EXTENDED_DESCRIPTION	B B:FID_2986	M NUMBER_M
495312410001	TRIM; PIPE CABINET,USIZ 3&4	M:GV L:25.777 W:3.180 T:0.044	25.777	8
495312410002	TRIM; PIPE CABINET,USIZ 6	M:GV L:32.027 W:3.180 T:0.044	32.027	9
495312410003	TRIM; PIPE CABINET,USIZ 8&10	M:GV L:34.527 W:3.180 T:0.044	34.527	9
495312410004	TRIM; PIPE CABINET,USIZ 12&14	M:GV L:38.277 W:3.180 T:0.044	38.277	11
495312410005	TRIM; PIPE CABINET,USIZ 17	M:GV L:45.777 W:3.180 T:0.044	45.777	13
495312410006	TRIM; PIPE CABINET,USIZ 21	M:GV L:49.527 W:3.180 T:0.044	49.527	13
495312410007	TRIM; PIPE CABINET,USIZ 25&30	M:GV L:58.277 W:3.180 T:0.044	58.277	15
495312410008	TRIM; PIPE CABINET,USIZ 35&40	M:GV L:64.027 W:3.180 T:0.044	64.027	16
495312410009	TRIM; PIPE CABINET,USIZ 50	M:GV L:72.527 W:3.180 T:0.044	72.527	18
495312410010	TRIM; PIPE CABINET,USIZ 57	M:GV L:82.277 W:3.180 T:0.044	82.277	20
495312410011	TRIM; PIPE CABINET,USIZ 66	M:GV L:85.777 W:3.180 T:0.044	85.777	22
495312410012	TRIM; PIPE CABINET,USIZ 80	M:GV L:100.777 W:3.180 T:0.044	100.777	25
495312410013	TRIM; PIPE CABINET,USIZ 100&120	M:GV L:113.027 W:3.180 T:0.044	113.027	27



4

3

2

1

D

C

B

A

DRAWING	REVISION	VERSION
	D	4

UNLESS OTHERWISE SPECIFIED ALL DIMENSIONS ARE IN INCHES. TOLERANCE:

.X =± 0.0
 .XX =± 0.00
 .XXX =± 0.040

FINISH ✓

ANGLES =± 3.0 ° HOLE DIA = + 0.005
 - 0.005

CONFORMS TO ASME Y14.5M-1994.

TRANE

THIS DRAWING IS PROPRIETARY AND SHALL NOT BE COPIED OR ITS CONTENTS DISCLOSED TO OUTSIDE PARTIES WITHOUT THE WRITTEN CONSENT OF TRANE

DRAWN BY: J. ORR ©TRANE DATE: 02-DEC-2011

DO NOT SCALE PRINT

THIRD ANGLE PROJECTION



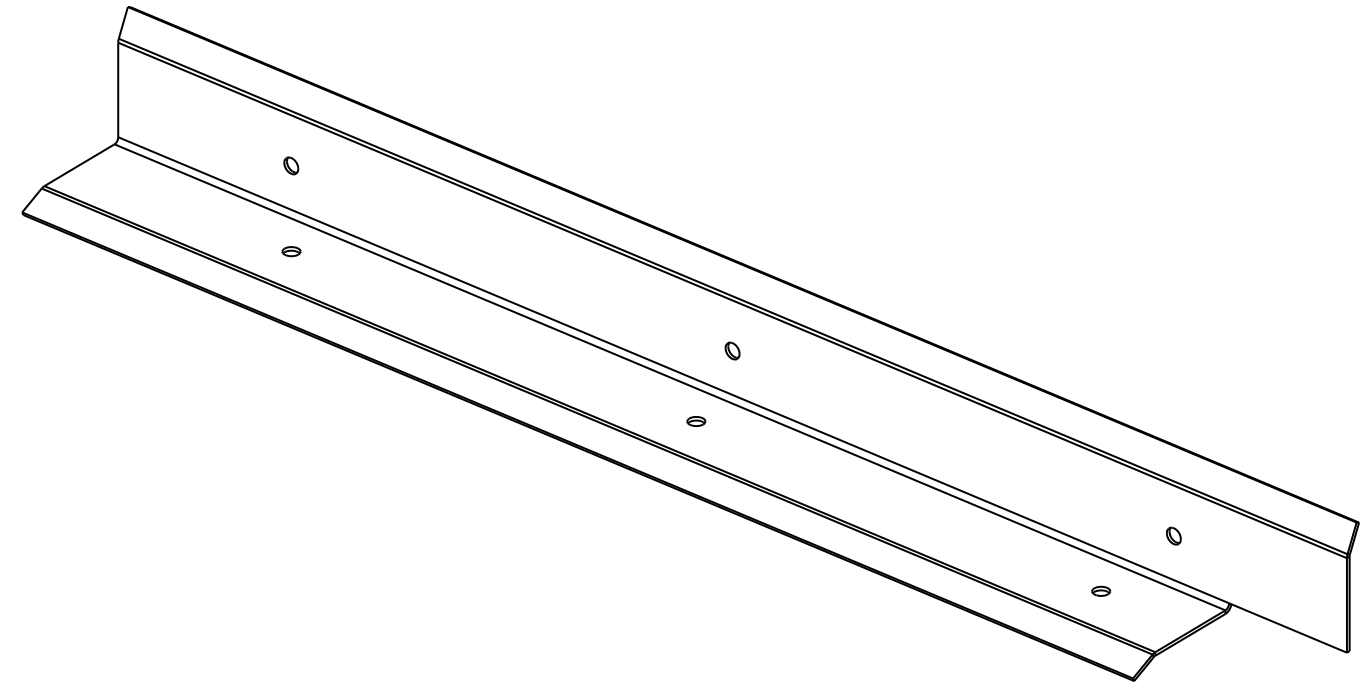
49531241

SHEET 2 OF 2

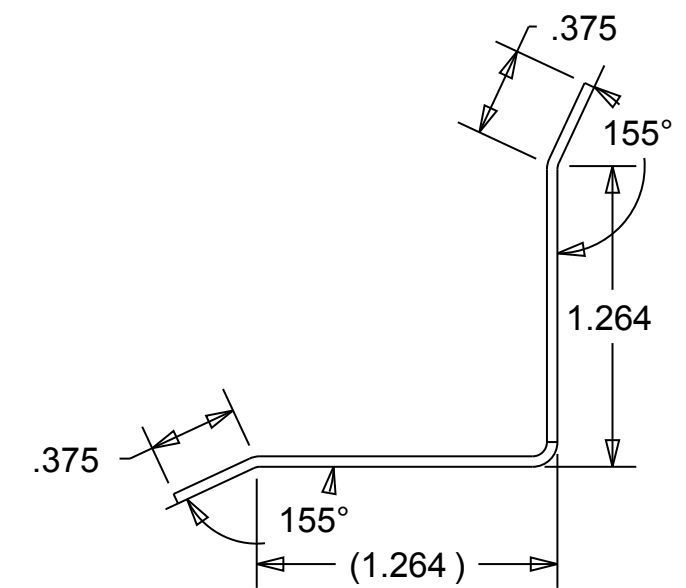
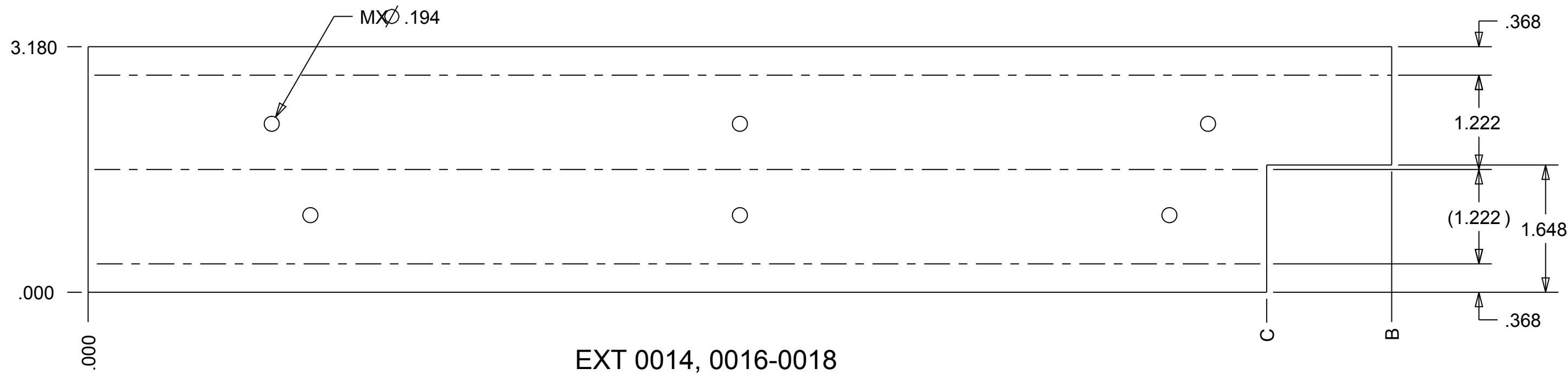
REV D

ANGLE TRIM, USIZ 3-120

--



EXT	DESCRIPTION	EXTENDED_DESCRIPTION	B	C	M
			B:FID_2986	C:FID_3258	NUMBER_M
495312410014	TRIM; GAS HEAT FLUE	M:GV L:10.610 W:3.180 T:0.044	10.610	8.993	4
495312410016	TRIM; GAS HEAT FLUE	M:GV L:14.610 W:3.180 T:0.044	14.610	12.993	5
495312410017	TRIM; GAS HEAT FLUE	M:GV L:12.610 W:3.180 T:0.044	12.610	10.993	4
495312410018	TRIM; GAS HEAT FLUE	M:GV L:16.860 W:3.180 T:0.044	16.860	15.243	6



4

3

2

1