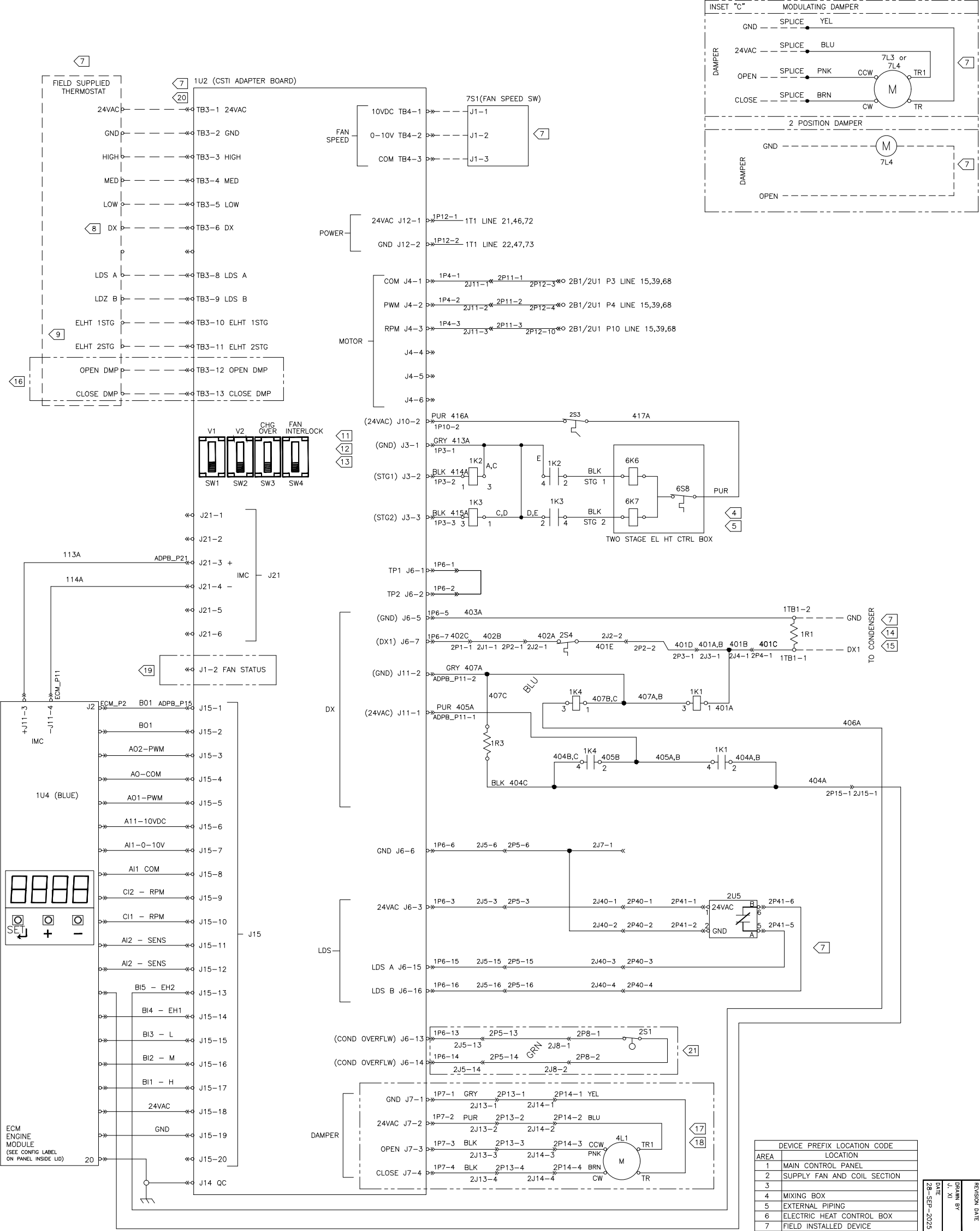
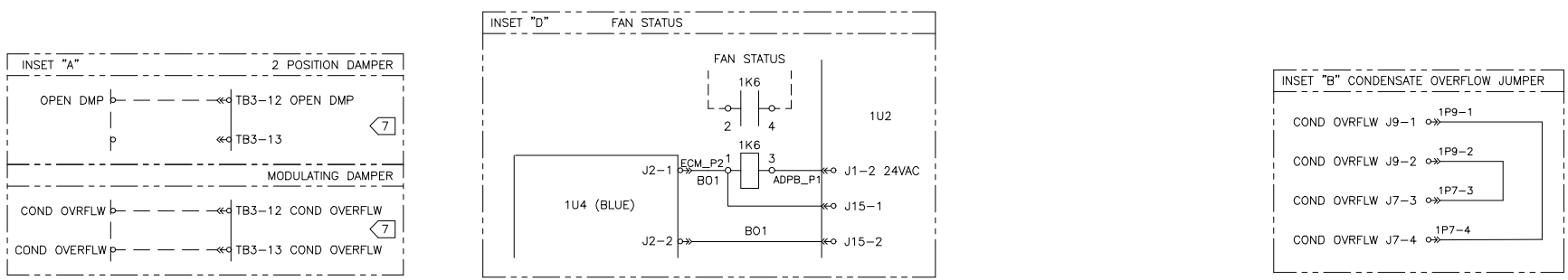


74
75
76
77
78
79
80
81
82
83
84
85
86
87
88
89
90
91
92
93
94
95
96
97
98
99
100
101
102
103
104
105
106
107
108
109
110
111
112
113
114
115
116
117
118
119
120
121
122
123
124
125
126
127
128
129
130
131
132
133
134
135
136
137
138
139
140
141
142
143
144
145
146



AREA	LOCATION
1	MAIN CONTROL PANEL
2	SUPPLY FAN AND COIL SECTION
3	
4	MIXING BOX
5	EXTERNAL PIPING
6	ELECTRIC HEAT CONTROL BOX
7	FIELD INSTALLED DEVICE

DEVICE DESIGNATION	DESCRIPTION	LINE NUMBER
1U2	ADAPTER BOARD	79,88
1U4	ENGINE BOARD	82,114
2S3	EL HT LOCKOUT SWITCH	105
6K6	CONTACTOR; EL HT STG 1	107
6S8	EL HT HIGH TEMP	108
1K2	CONTACTOR; EL HT	110
1K3	CONTACTOR; EL HT	110
6K7	CONTACTOR; EL HT STG 2	109
2S1	CONDENSATE OVERFLOW SWITCH	125
2S2	FREZZESTAT	127
1K1	RELAY; DX STATUS	117,120
1K4	RELAY; EL HT STG 2 STATUS	117,120
1R1	RESISTOR; DX STG 1 TEST	114
1R3	RESISTOR; LOADING	119
2S4	FROST STAT	115
1K6	RELAY; FAN STATUS	80,81
4L1	MIXING BOX DAMPER ACTUATOR	134
7L3	MIXING BOX DAMPER ACTUATOR	98
7L4	OUTSIDE AIR DAMPER ACTUATOR	98,102
7S1	FAN SPEED SW	89
2U5	LEAK DETECTION SENSOR	123

- NOTES:**
- UNLESS OTHERWISE NOTED, ALL SWITCHES ARE SHOWN AT 25° C (77° F), WITH ALL UTILITIES TURNED OFF, AND AFTER A NORMAL SHUTDOWN HAS OCCURRED.
 - DASHED LINES INDICATE RECOMMENDED FIELD WIRING BY OTHERS. DASHED LINED ENCLOSURES AND/OR DASHED DEVICE OUTLINES INDICATE COMPONENTS PROVIDED BY THE FIELD. PHANTOM LINE ENCLOSURES INDICATE ALTERNATE CIRCUITRY OR AVAILABLE SALES OPTIONS. SOLID LINES INDICATE WIRING BY TRANE.
 - ALL FIELD WIRING MUST BE IN ACCORDANCE WITH THE NATIONAL ELECTRIC CODE (NEC), STATE AND LOCAL REQUIREMENTS.
 - ELECTRIC HEAT SCHEMATIC IS LOCATED IN THE ELECTRIC HEAT CONTROL BOX PANEL.
 - WIRING SHOWN IS FOR TWO STAGE ELECTRIC HEAT.
 - USE CLASS 2 WIRING.
 - FIELD CONNECTIONS SHOWN ON TB3-6 IS FOR ONE STAGE DX.
 - FIELD CONNECTIONS SHOWN ON TB3-12 AND TB3-13 ARE FOR TWO STAGE ELECTRIC HEAT.
 - SW1 AND SW2 ARE SHOWN IN THE OFF POSITION. SW1 AND OR SW2 ARE TURNED OFF WHEN COIL 1 OR COIL 2 CONTROL VALVES ARE NORMALLY CLOSED OR MODULATING. SW1 AND/OR SW2 ARE TURNED ON WHEN COIL 1 OR COIL 2 CONTROL VALVES ARE NORMALLY OPEN.
 - SW3 IS SHOWN IN THE OFF POSITION. SW3 IS TURNED ON WHEN CHANGEOVER COILS ARE SELECTED (6R DX 3/16", 4R DX 3/16" HEAT PUMP).
 - SW4 IS SHOWN IN THE OFF POSITION. SW4 IS TURNED ON WHEN UNIT HAS ELECTRIC HEAT (1-STAGE, 2-STAGE, SCR).
 - FIELD INSTALLED CONDENSING UNIT CAN BE WIRED BETWEEN TERMINALS 1TB1-1 TO 1TB1-2 FOR SINGLE STAGE. REMOVE RESISTOR 1R1 PRIOR TO WIRING CONDENSER. DX1 OUTPUTS RATED FOR 24VAC 6VA MAXIMUM.
 - FIELD CONNECTIONS SHOWN ON TB3-12 AND TB3-13 ARE FOR TWO POSITION DAMPER AND CONDENSATE OVERFLOW FIELD WIRING. SEE INSET "A".
 - WIRING SHOWN IS FOR FACTORY INSTALLED MODULATING DAMPER.
 - FOR CONDENSATE OVERFLOW JUMPER, SEE INSET "B". FOR 2 POSITION DAMPER AND MODULATING FIELD SUPPLIED/ SHIP LOOSE DAMPER WIRING, SEE INSET "C".
 - REMOVE TEST JUMPER PRIOR TO CONNECTING MIXING BOX TO MAIN UNIT.
 - SEE INSET "D" FOR FAN STATUS WIRING.
 - 24V OUTPUT IS RATED 15VA
 - WIRING IS SHOWN WITH CONDENSATE OVERFLOW SWITCH. SEE INSET B FOR REQUIRED CONDENSATE OVERFLOW JUMPER. FOR UNITS WITHOUT COILS OR UNITS WITHOUT CONDENSATE OVERFLOW, THERE IS NO FACTORY WIRED CONDENSATE OVERFLOW SWITCH.

REPLACES

TRANE

50263587

SCHMATIC

DATE: 28-SEP-2025

BLOWER COIL - SCHE